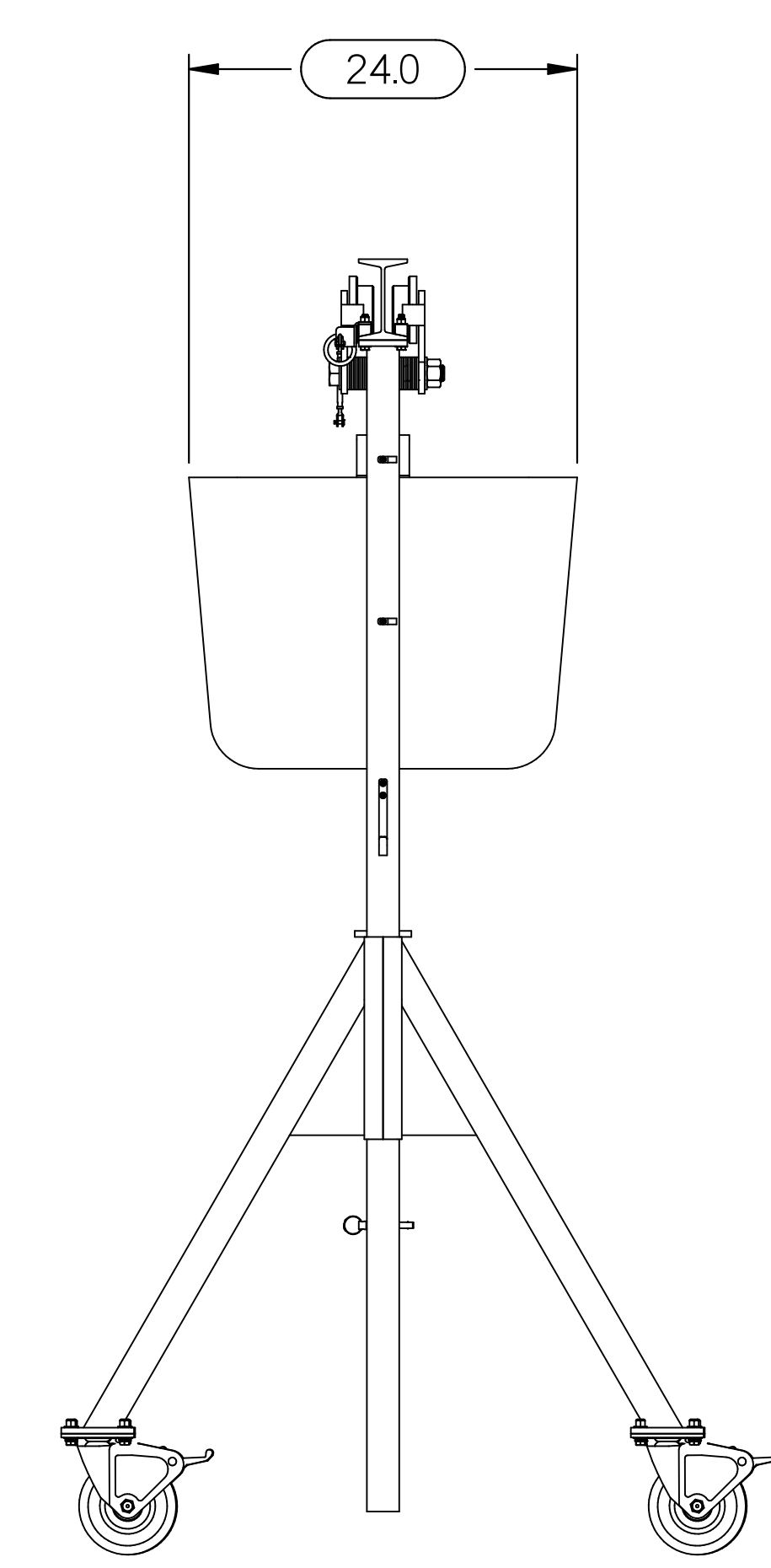
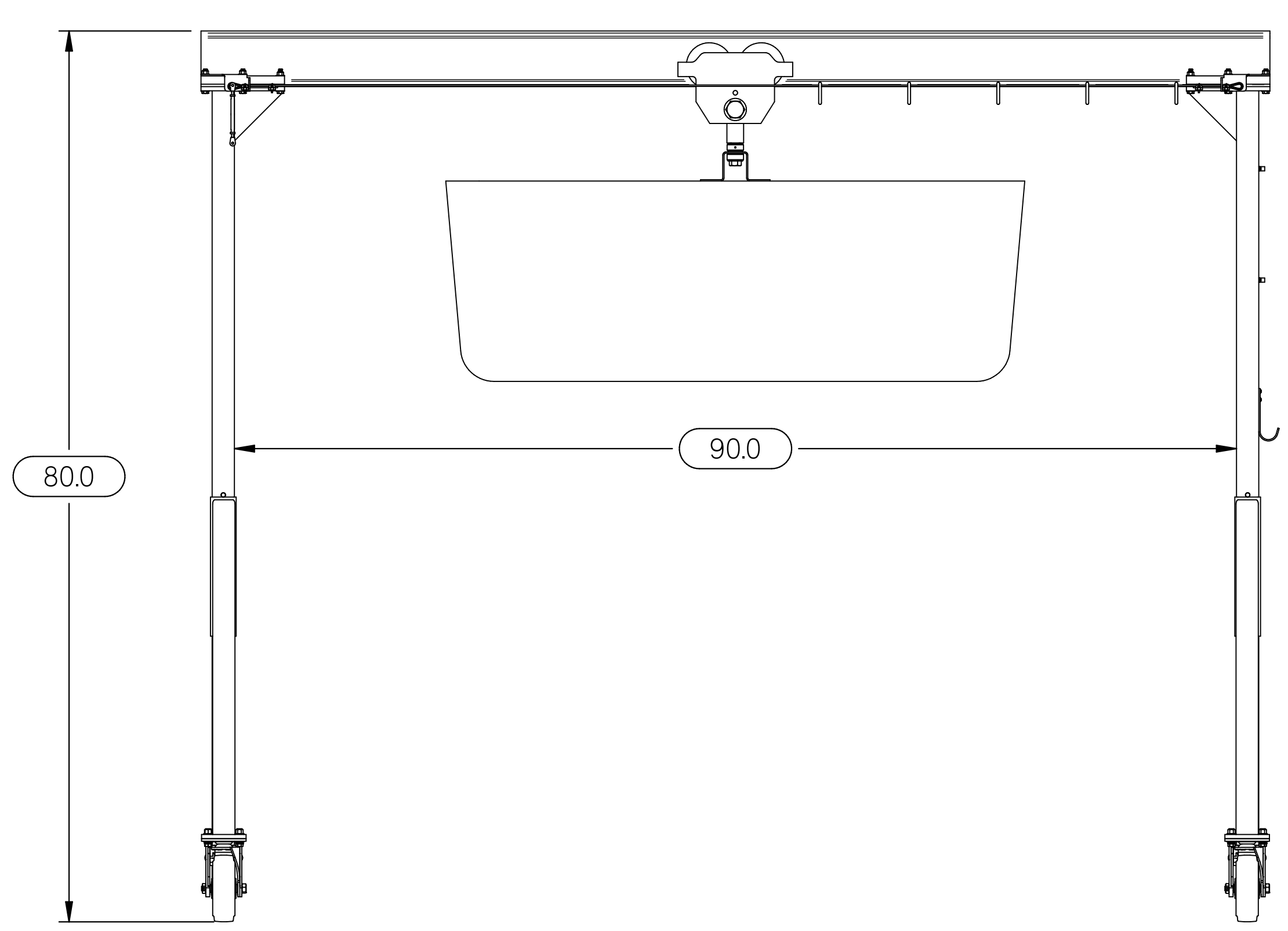
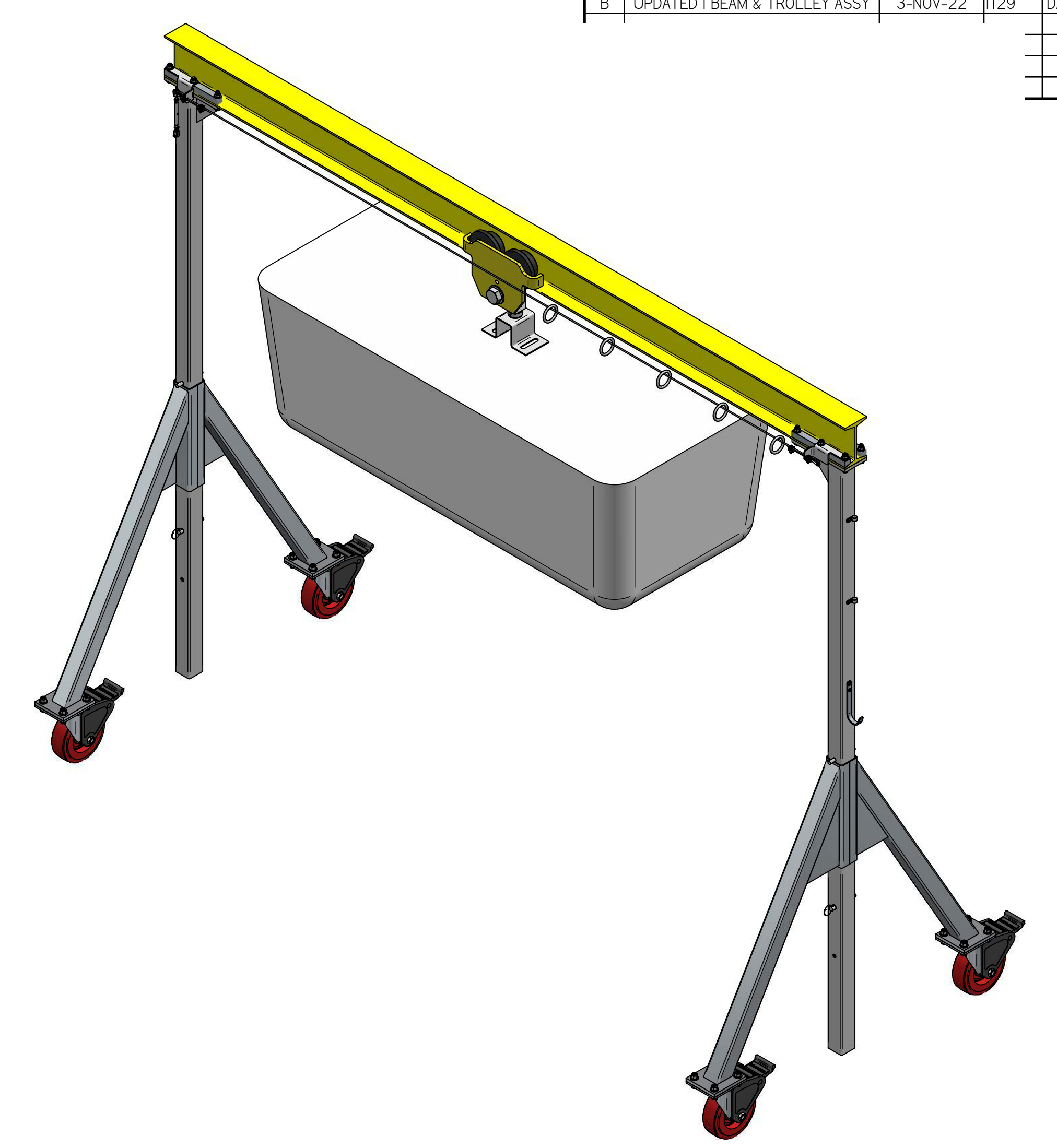
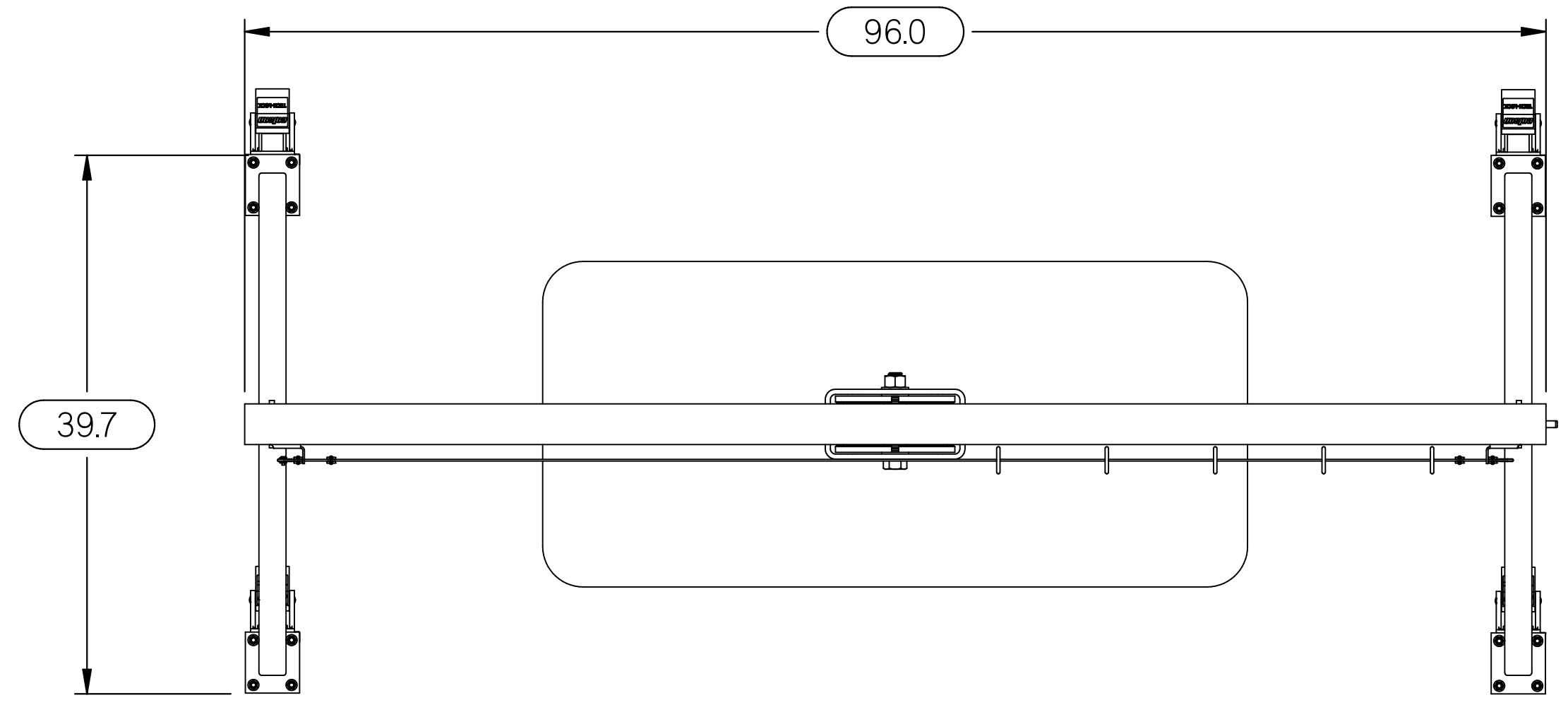


REV	DESCRIPTION	DATE	ECN #	APPR
A	INITIAL RELEASE	00-XXX-19	XXXXX	MM
B	UPDATED I BEAM & TROLLEY ASSY	3-NOV-22	1129	DA



THIS DOCUMENT CONTAINS PROPRIETARY INFORMATION OF MOPEC, AND MAY NOT BE COPIED IN WHOLE OR PART, AND NO USE SHALL BE MADE OF IT OTHER THAN FOR WHICH IT HAS BEEN SUBMITTED WITHOUT THE WRITTEN PERMISSION OF A MOPEC MANAGER MOPEC 2024	UNLESS OTHERWISE SPECIFIED ALL DIMENSIONS IN INCHES TOLERANCES 0.0 ± 0.1 in 0.00 ± 0.05 in 0.000 ± 0.010 in 0.0000 ± 0.0010 in ANGLES ±0.5° BREAK ALL CORNERS 0.063 X 45° ALL FILLET RADII R0.063 /0.125in INSPECT OVAL DIMENSIONS	  DRAWN TO 3RD ANGLE PROJECTION	DRAWN BY A. SALAME DATE 9/27/2021	PART NUMBER JD3008-B
			CHECKED BY DATE 9/27/2021	DESCRIPTION 8' LIFT BODY CRANE
		APPROVED BY DATE J. JOHNSON 9/27/2021	SIZE A2	FILE NAME JD3008-B.dft
		SCALE 1:1	DO NOT SCALE IF IN DOUBT ASK	SHEET 1 OF 2

\* JD3008-B.dft\*