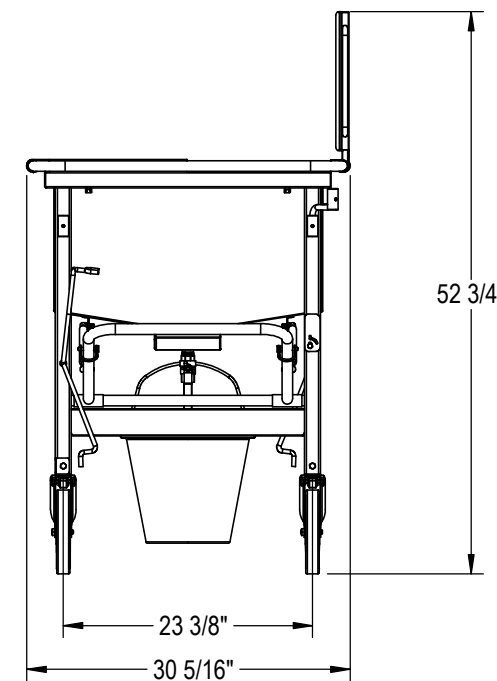
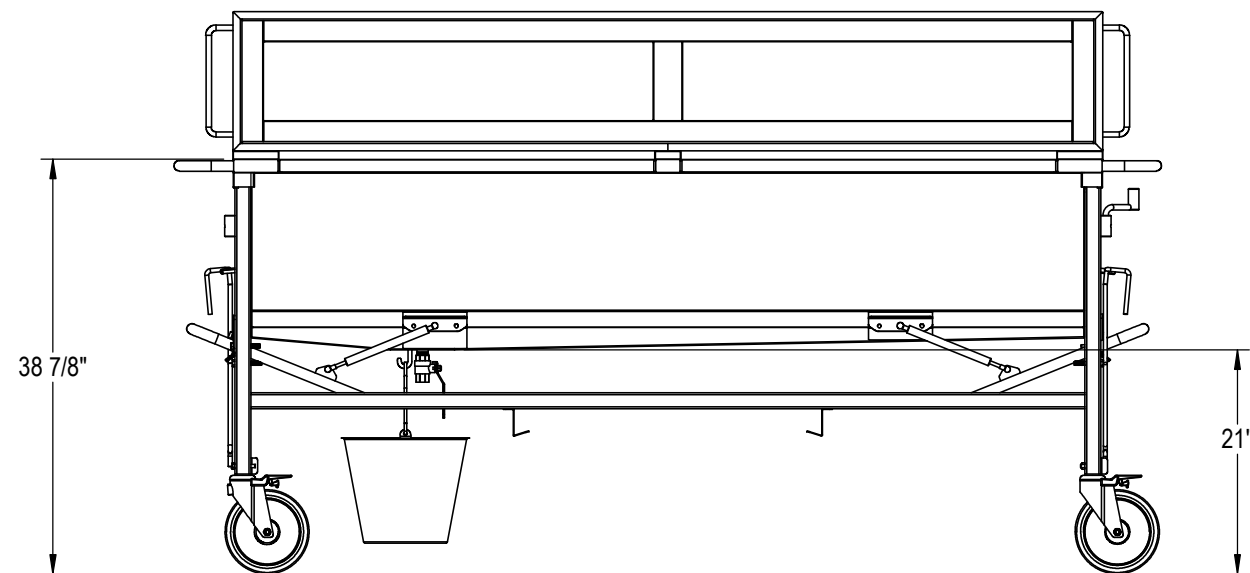
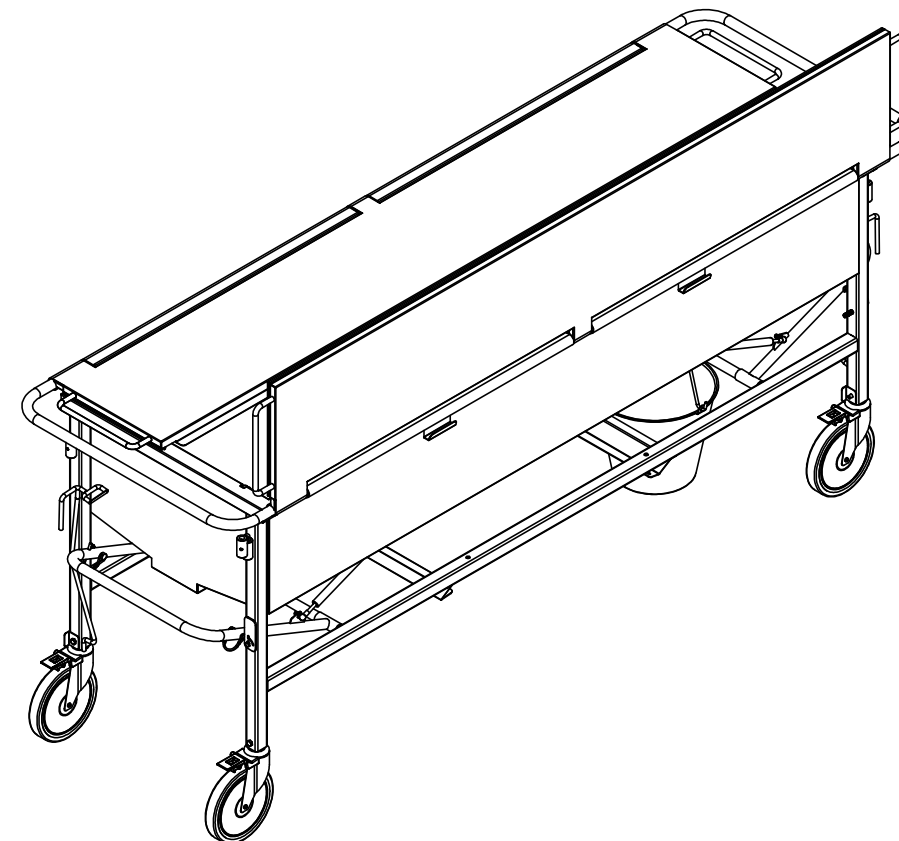
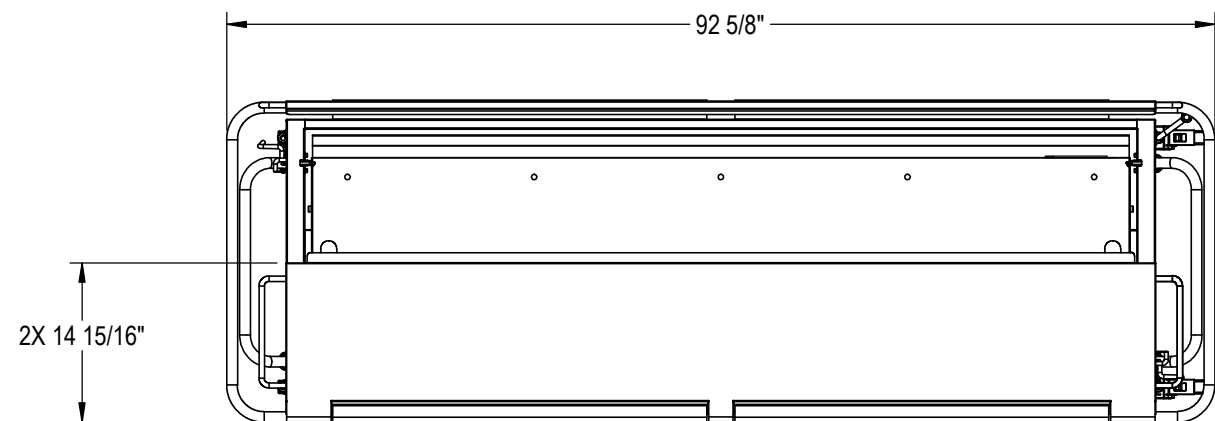


NOTES: UNLESS OTHERWISE SPECIFIED

1. APPLICABLE TO STANDARDS AND SPECIFICATIONS;
ASME Y14.5-2009, DIMENSIONING AND TOLERANCING
ASME Y14.38-2007, ABBREVIATIONS

REVISIONS				
REV.	DCN#	DESCRIPTION	DATE	CHANGED/APPROVED
X01	-	PRELIMINARY RELEASE	12/03/24	FJ

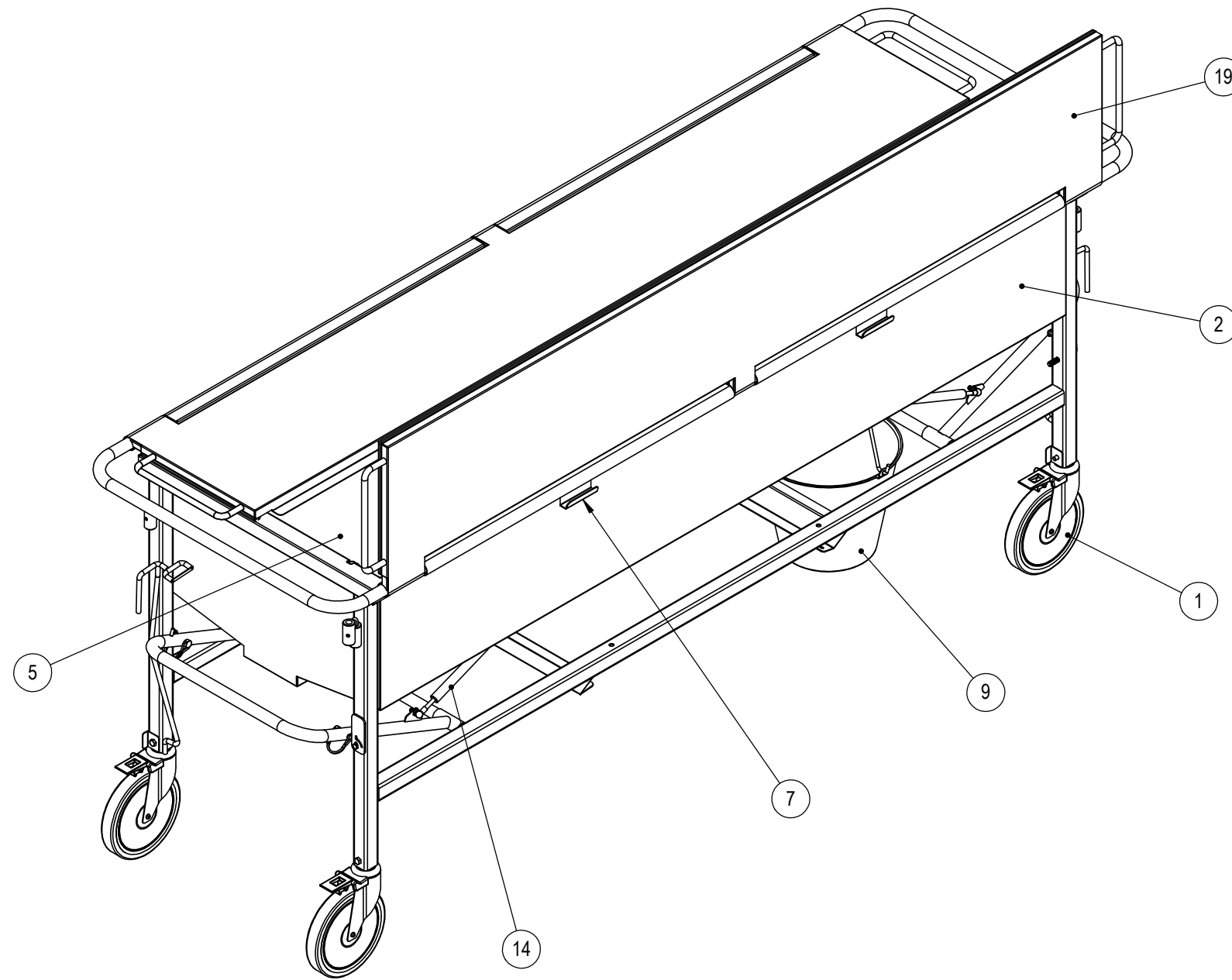


TOLERANCE BLOCK: DIMENSIONS ARE IN INCHES DECIMALS .X ±.1 ANGLES ± 1° DECIMALS .XX ±.01 FRACTIONS ± 1/16" DECIMALS .XXX ±.005		PROPRIETARY THIS DOCUMENT AND THE DATE DISCLOSED HEREIN AND HERewith IS NOT TO BE REPRODUCED, USED, OR OTHERWISE DISCLOSED IN WHOLE OR IN PART TO ANYONE WITHOUT WRITTEN AUTHORIZATION FROM MORTECH MFG.			
DO NOT SCALE DRAWING		APPROVALS DATE DRAWN BY: EDWIN L. 6/6/2024 CHECKED BY: APPROVED BY:		TITLE: SIZE: B DWG NO.: 600022-05 REV.: X01	
FINISH:		SCALE: 1:32 NEXT ASSY.:		SHEET: 1 OF 2	

NOTES: UNLESS OTHERWISE SPECIFIED

1. APPLICABLE TO STANDARDS AND SPECIFICATIONS;
ASME Y14.5-2009, DIMENSIONING AND TOLERANCING
ASME Y14.38-2007, ABBREVIATIONS

REVISIONS				
REV.	DCN#	DESCRIPTION	DATE	CHANGED/APPROVED
X01	-	PRELIMINARY RELEASE	12/03/24	FJ



22	2	NUTLKTHKM8125SS	NUT, HEX, METRIC- M8 X 1.25 304, SS WITH NYLON INSERT
21	1	92198A634	
20	4	1670K1	
19	1	62205-705	
18	8	92196A267	
17	8	WASHERFR10SS	WASHER, FLAT ROUND- #10, SS
16	1	SCREWHC25202SS	SCREW, HEX HEAD CAP- .25-20 X 2.00" L, SS
15	1	VALVEB75	VALVE, BALL- 3/4" NPT
14	4	4138T555_GAS SPRING	
13	4	62201-ROLLER	XXXXX
12	4	3434T24	
11	2	M-1090	LATCH, FLIP- 3.500 X 1.437
10	1	M-932	BOOK STAND/LEG SUPPORT EXTENSION SUBASSEMBLY
9	1	LW250	DRAIN PAIL 12"
8	1	62205-8025	
7	2	62205-8024	BRACKET, BOARD MOUNTING- 2.50 X 3.00
6	4	62205-8022	
5	1	62205-8009	TRAY-76.75 X 23.88 X 2.50
4	4	62205-8011	CABLE GUIDE
3	4	62205-8010	CABLE GUIDE
2	1	62205-7000	TANK ASSEMBLY
1	1	62205-703	
ITEM NO.	QTY.	PART NUMBER	DESCRIPTION

TOLERANCE BLOCK: DIMENSIONS ARE IN INCHES DECIMALS .X ±.1 ANGLES ±1° DECIMALS .XX ±.01 FRACTIONS ±1/16" DECIMALS .XXX ±.005		PROPRIETARY THIS DOCUMENT AND THE DATE DISCLOSED HEREIN AND HERewith IS NOT TO BE REPRODUCED, USED, OR OTHERWISE DISCLOSED IN WHOLE OR IN PART TO ANYONE WITHOUT WRITTEN AUTHORIZATION FROM MORTECH MFG.			
DO NOT SCALE DRAWING		APPROVALS DRAWN BY: EDWIN L. DATE: 6/6/2024 CHECKED BY: APPROVED BY:		TITLE: SIZE: B DWG NO.: 600022-05 REV.: X01 SCALE: 1:32 SHEET: 2 OF 2	