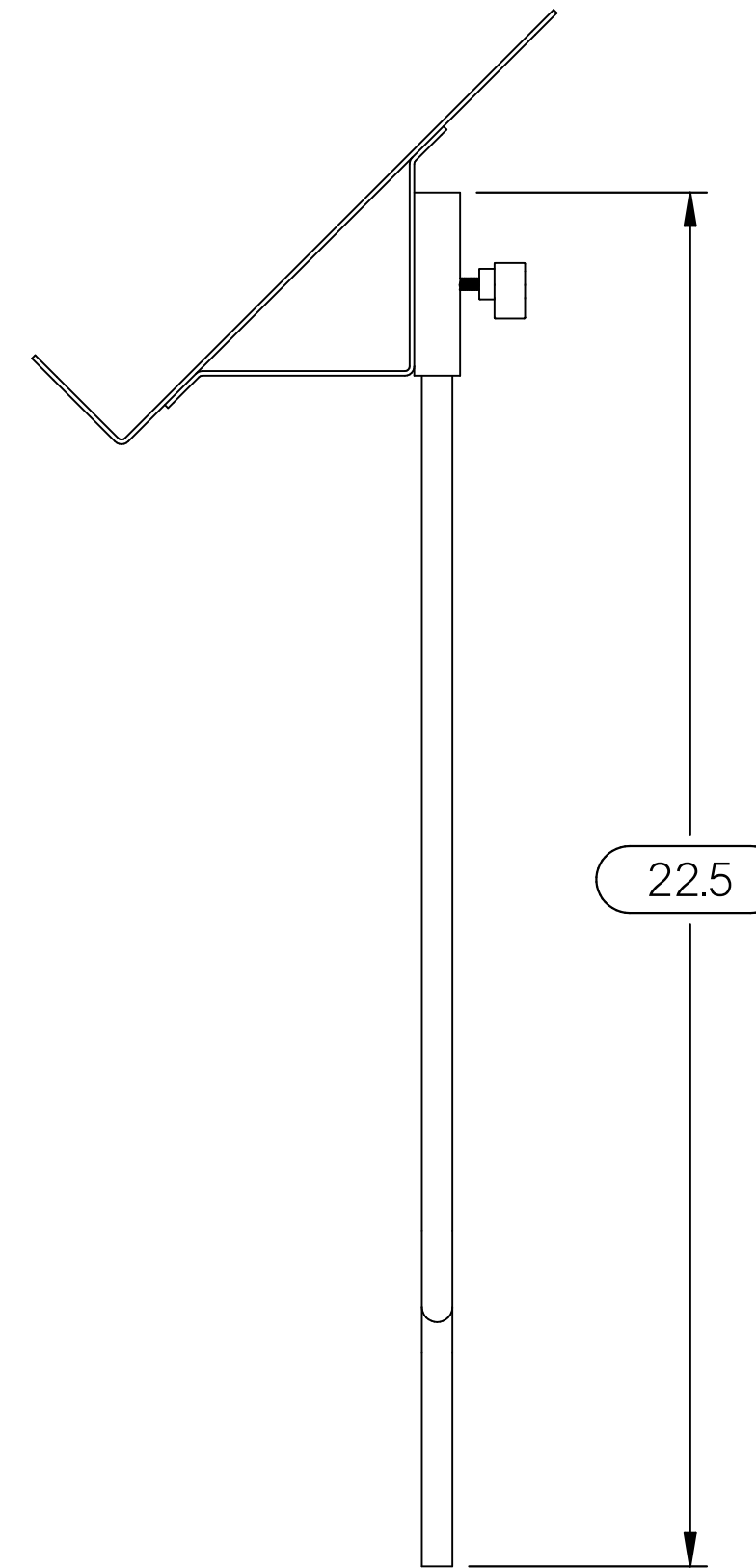
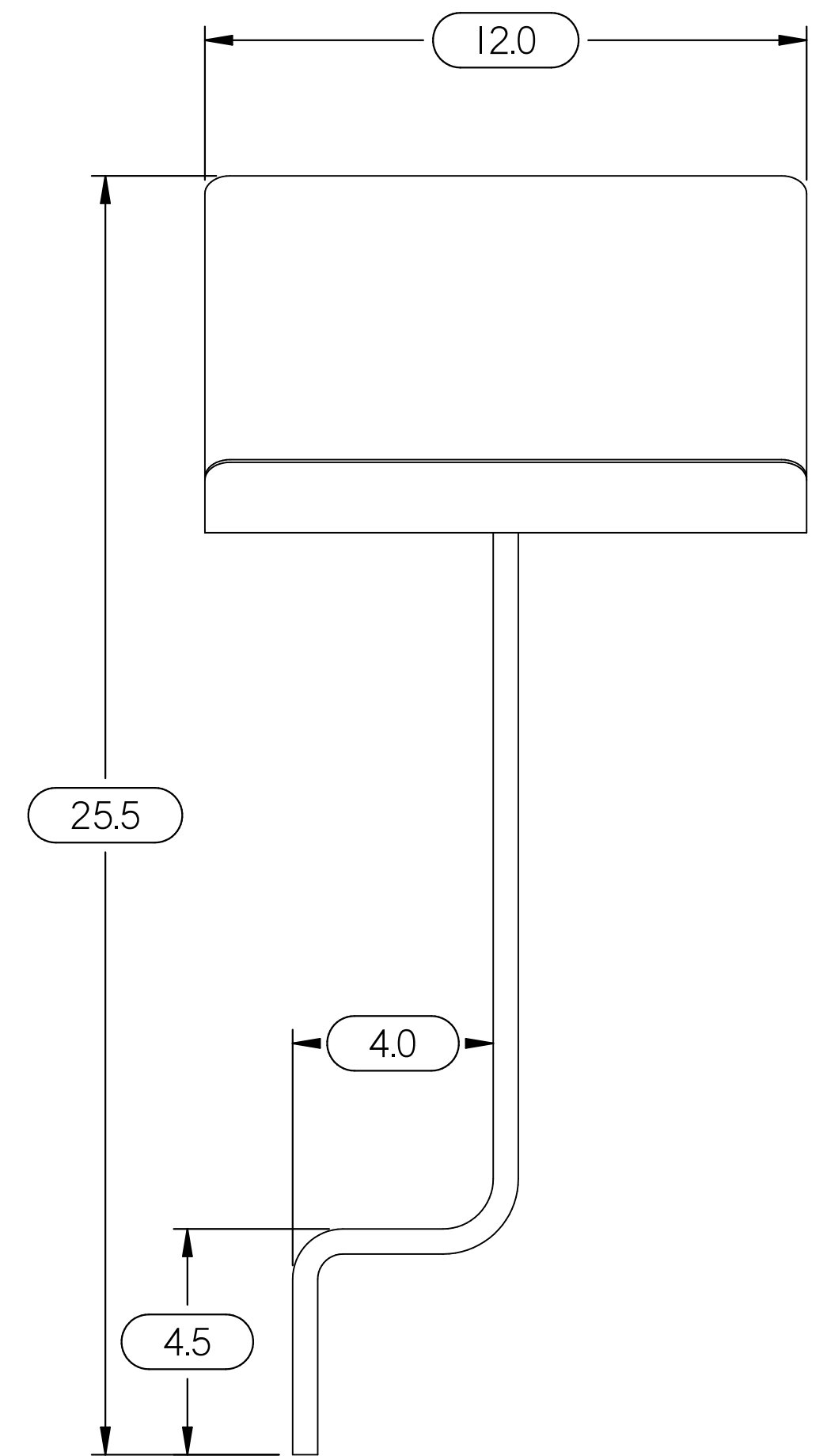
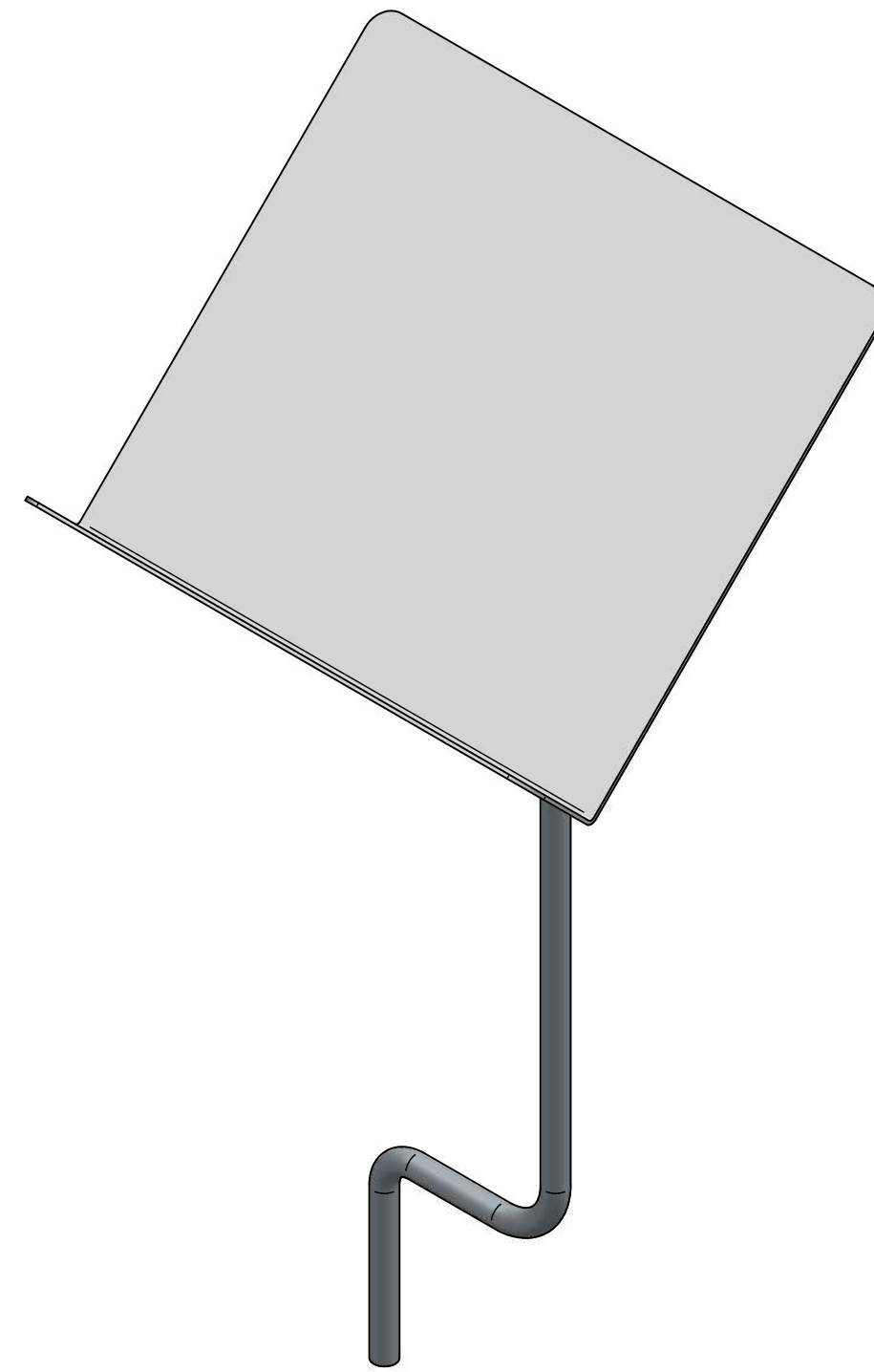
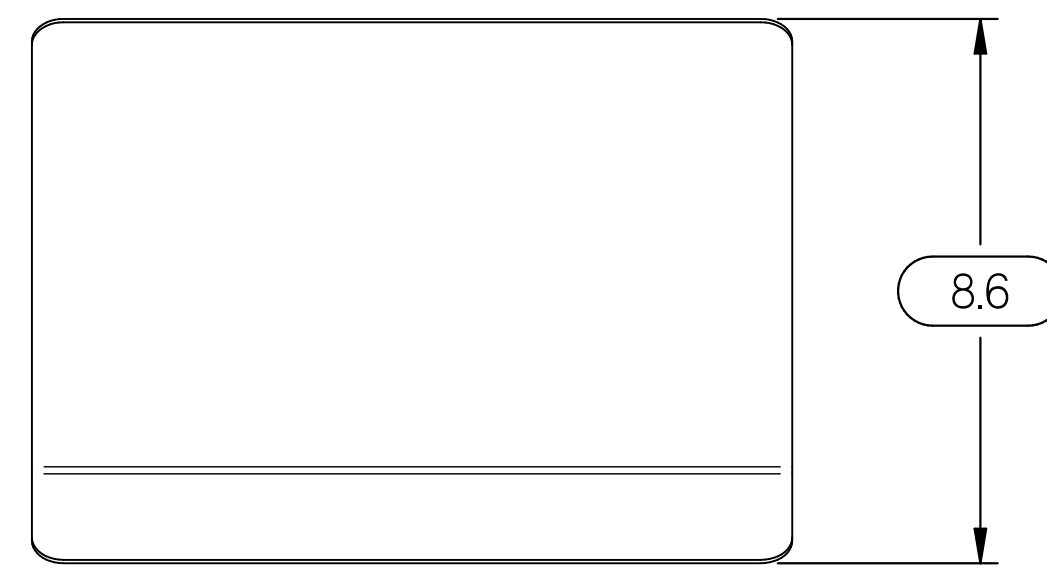


I 2 3 4 5 6 7 8 9 10 11

REV	DESCRIPTION	DATE	ECN #	APPR
A	INITIAL RELEASE	20-OCT-15	864	DA
B	CREATED SUB-ASSY FOR COMPONENTS	16-FEB-18	988	JB



<p>THIS DOCUMENT CONTAINS PROPRIETARY INFORMATION OF MOPEC, AND MAY NOT BE COPIED IN WHOLE OR PART, AND NO USE SHALL BE MADE OF IT OTHER THAN FOR WHICH IT HAS BEEN SUBMITTED WITHOUT THE WRITTEN PERMISSION OF A MOPEC MANAGER</p> <p>MOPEC 2024</p>	<p>UNLESS OTHERWISE SPECIFIED ALL DIMENSIONS IN INCHES</p> <p>TOLERANCES</p> <table border="0"> <tr> <td>0.0</td> <td>± 0.1 in</td> </tr> <tr> <td>0.00</td> <td>± 0.05 in</td> </tr> <tr> <td>0.000</td> <td>± 0.010 in</td> </tr> <tr> <td>0.0000</td> <td>± 0.0010 in</td> </tr> <tr> <td>ANGLES</td> <td>± 0.5°</td> </tr> </table> <p>BREAK ALL CORNERS 0.063 X 45° ALL FILLET RADII R0.063 / 0.125 in INSPECT OVAL DIMENSIONS</p>	0.0	± 0.1 in	0.00	± 0.05 in	0.000	± 0.010 in	0.0000	± 0.0010 in	ANGLES	± 0.5°	<p>MOPEC GROUP</p> <p>MORTECH MANUFACTURING</p>	<p>DRAWN BY: B. LAY</p> <p>DATE: 7/7/2021</p>	<p>PART NUMBER: H0006-B</p>
		0.0	± 0.1 in											
0.00	± 0.05 in													
0.000	± 0.010 in													
0.0000	± 0.0010 in													
ANGLES	± 0.5°													
<p>DRAWN TO 3RD ANGLE PROJECTION</p>	<p>CHECKED BY: ---</p> <p>DATE: ---</p>	<p>DESCRIPTION: BOOK HOLDER ASSEMBLY</p>	<p>SIZE: A2</p> <p>FILE NAME: H0006-B.dft</p>											
			<p>APPROVED BY: M. McClain</p> <p>DATE: 7/7/2021</p>	<p>SCALE: 1:3.03</p>										
			<p>DO NOT SCALE IF IN DOUBT ASK</p>	<p>SHEET 1 OF 2</p>										

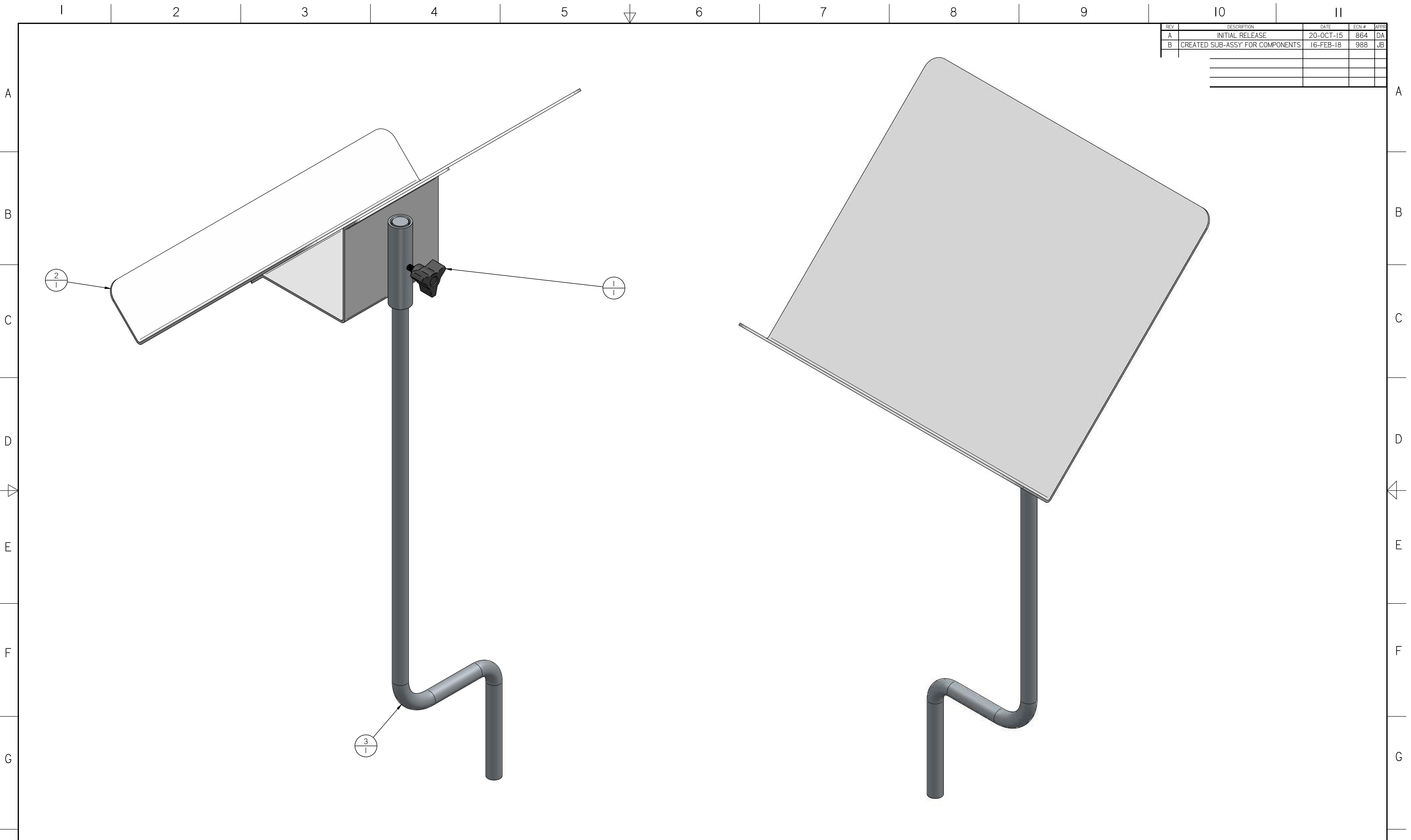
I 2 3 4 5 6 7 8 9 10 11

A  
B  
C  
D  
E  
F  
G  
H

A  
B  
C  
D  
E  
F  
G  
H

\*H0006-B.dft\*

REV	DESCRIPTION	DATE	ECN #	APPR
A	INITIAL RELEASE	20-OCT-15	864	DA
B	CREATED SUB-ASSY FOR COMPONENTS	16-FEB-18	988	JB



Item Number	Quantity	File Name	Title	Material	Revision
1	1	PM0198.par	HAND KNOB	McMASTER-CARR # 57715K28	A
2	1	S0440-B.asm	BOOK HOLDER WELDMENT		B
3	1	S0441-A.par	OFFSET SUPPORT ROD	RM0014, ROD, SS, 1/2" DIA, 304	A

THIS DOCUMENT CONTAINS PROPRIETARY INFORMATION OF MOPEC, AND MAY NOT BE COPIED IN WHOLE OR PART, AND NO USE SHALL BE MADE OF IT OTHER THAN FOR WHICH IT HAS BEEN SUBMITTED WITHOUT THE WRITTEN PERMISSION OF A MOPEC MANAGER

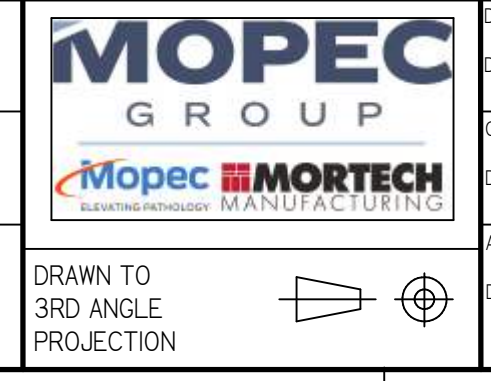
MOPEC 2024

UNLESS OTHERWISE SPECIFIED ALL DIMENSIONS IN INCHES

TOLERANCES

0.0	± 0.1 in
0.00	± 0.05 in
0.000	± 0.010 in
0.0000	± 0.0010 in
ANGLES	± 0.5°

BREAK ALL CORNERS 0.063 X 45°  
ALL FILLET RADII R0.063 / 0.125 in  
INSPECT OVAL DIMENSIONS



DRAWN BY: B. LAY  
DATE: 7/7/2021  
CHECKED BY:  
DATE: 7/7/2021  
APPROVED BY: M. McCLAIN  
DATE: 7/7/2021

PART NUMBER	H0006-B		
DESCRIPTION	BOOK HOLDER ASSEMBLY		
SIZE	A2	FILE NAME	H0006-B.dft
SCALE	2:1	DO NOT SCALE IF IN DOUBT ASK	SHEET 2 OF 2

\*H0006-B.dft\*