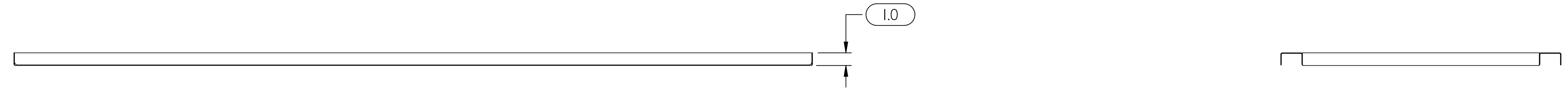
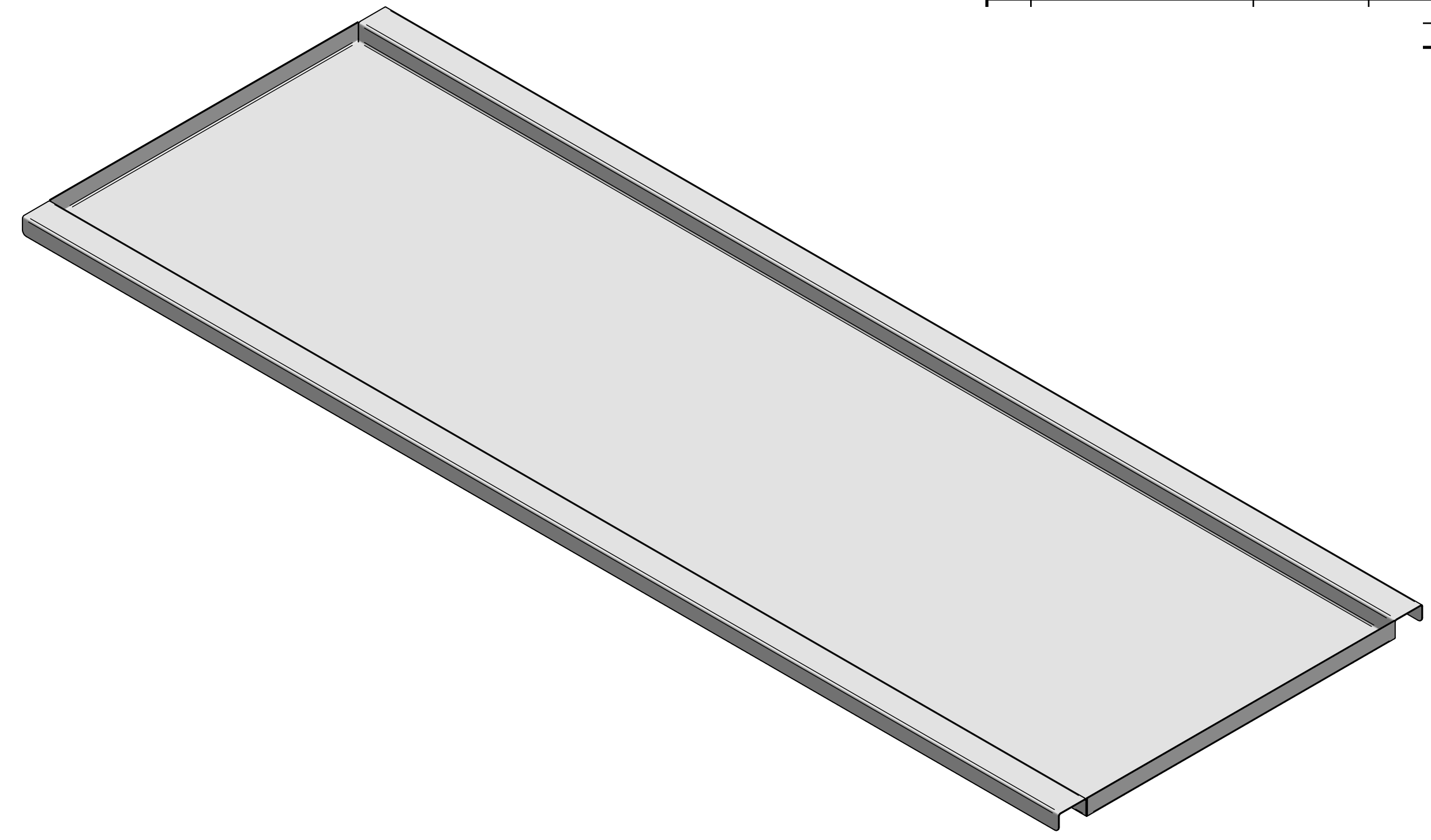
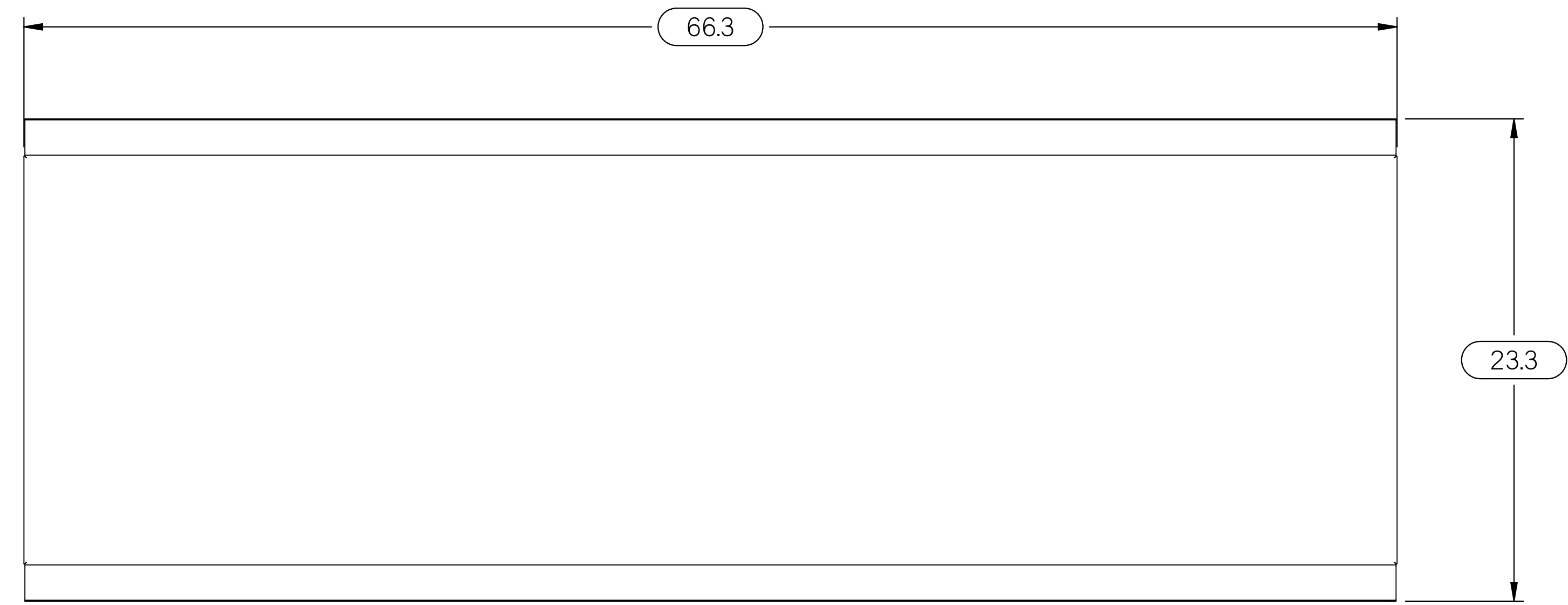


REV	DESCRIPTION	DATE	ECN #	APPR
A	INITIAL RELEASE	00-XXX-19	XXXXX	MM



THIS DOCUMENT CONTAINS PROPRIETARY INFORMATION OF MOPEC, AND MAY NOT BE COPIED IN WHOLE OR PART, AND NO USE SHALL BE MADE OF IT OTHER THAN FOR WHICH IT HAS BEEN SUBMITTED WITHOUT THE WRITTEN PERMISSION OF A MOPEC MANAGER MOPEC 2024	UNLESS OTHERWISE SPECIFIED ALL DIMENSIONS IN INCHES TOLERANCES 0.0 ± 0.1 in 0.00 ± 0.05 in 0.000 ± 0.010 in 0.0000 ± 0.0010 in ANGLES ± 0.5° BREAK ALL CORNERS 0.063 X 45° ALL FILLET RADII R0.063 (0.125in) INSPECT OVAL DIMENSIONS	MATERIAL: Error: No reference	 DRAWN TO 3RD ANGLE PROJECTION	DRAWN BY: jbourbeau DATE: 7/10/2020 CHECKED BY: DATE: --- APPROVED BY: MMcCLAIN DATE: 7/10/2020	PART NUMBER: H0032 DESCRIPTION: DISSECTION TABLE SHORT SHELF SIZE: A2 FILE NAME: H0032.dft SCALE: 1:1	REV: A DO NOT SCALE IF IN DOUBT ASK SHEET 1 OF 2
	FINISH: Error: No reference	DRAWN TO 3RD ANGLE PROJECTION		DO NOT SCALE IF IN DOUBT ASK		

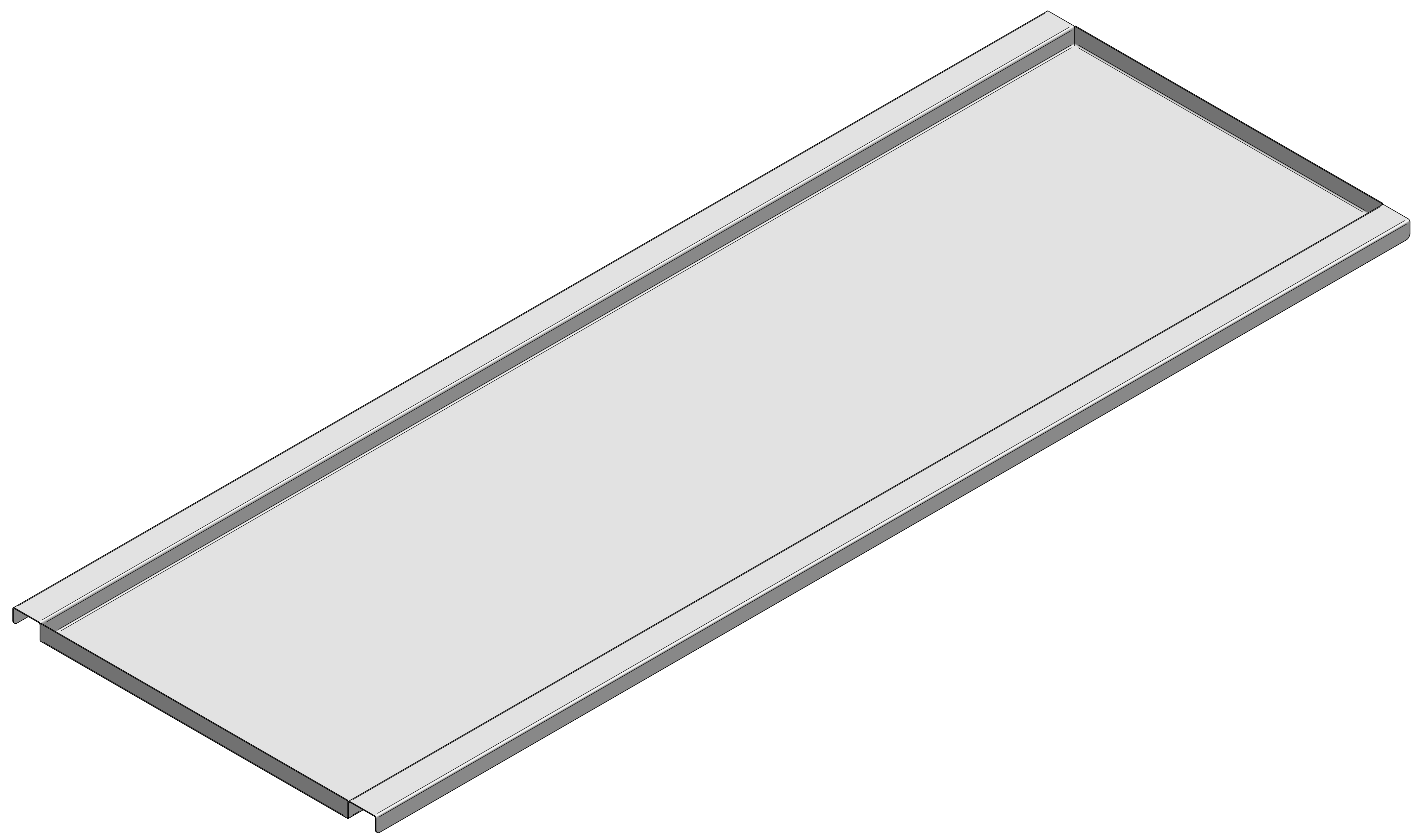
H0032.dft

I 2 3 4 5 6 7 8 9 10 11

REV	DESCRIPTION	DATE	ECN #	APPR
A	INITIAL RELEASE	00-XXX-19	XXXX	MM

A
B
C
D
E
F
G
H

A
B
C
D
E
F
G
H



Item Number	Quantity	File Name	Title	Material	Revision
I	1	S6396-Apsm	RECESSED SHELF	18 GA. TYPE T304 SS	A

<p>THIS DOCUMENT CONTAINS PROPRIETARY INFORMATION OF MOPEC, AND MAY NOT BE COPIED IN WHOLE OR PART, AND NO USE SHALL BE MADE OF IT OTHER THAN FOR WHICH IT HAS BEEN SUBMITTED WITHOUT THE WRITTEN PERMISSION OF A MOPEC MANAGER</p> <p>MOPEC 2024</p>	<p>UNLESS OTHERWISE SPECIFIED ALL DIMENSIONS IN INCHES</p> <p>TOLERANCES</p> <table border="0"> <tr> <td>0.0</td> <td>± 0.1 in</td> </tr> <tr> <td>0.00</td> <td>± 0.05 in</td> </tr> <tr> <td>0.000</td> <td>± 0.010 in</td> </tr> <tr> <td>0.0000</td> <td>± 0.0010 in</td> </tr> </table> <p>ANGLES ±0.5°</p> <p>BREAK ALL CORNERS 0.063 X 45°</p> <p>ALL FILLET RADII R0.063 (0.125in)</p> <p>INSPECT OVAL DIMENSIONS</p>	0.0	± 0.1 in	0.00	± 0.05 in	0.000	± 0.010 in	0.0000	± 0.0010 in	MATERIAL		DRAWN BY: jbourbeau	PART NUMBER: H0032
		0.0	± 0.1 in										
0.00	± 0.05 in												
0.000	± 0.010 in												
0.0000	± 0.0010 in												
MATERIAL USAGE	DATE: 7/10/2020	CHECKED BY:	DESCRIPTION: DISSECTION TABLE SHORT SHELF										
FINISH	DATE: 7/10/2020	APPROVED BY:	DATE: 7/10/2020	FILE NAME: H0032.dft	REV: A								
<p>Drawn to 3RD ANGLE PROJECTION</p>	<p>DO NOT SCALE IF IN DOUBT ASK</p>	<p>SHEET 2 OF 2</p>											

I 2 3 4 5 6 7 8 9 10 11

H0032.dft