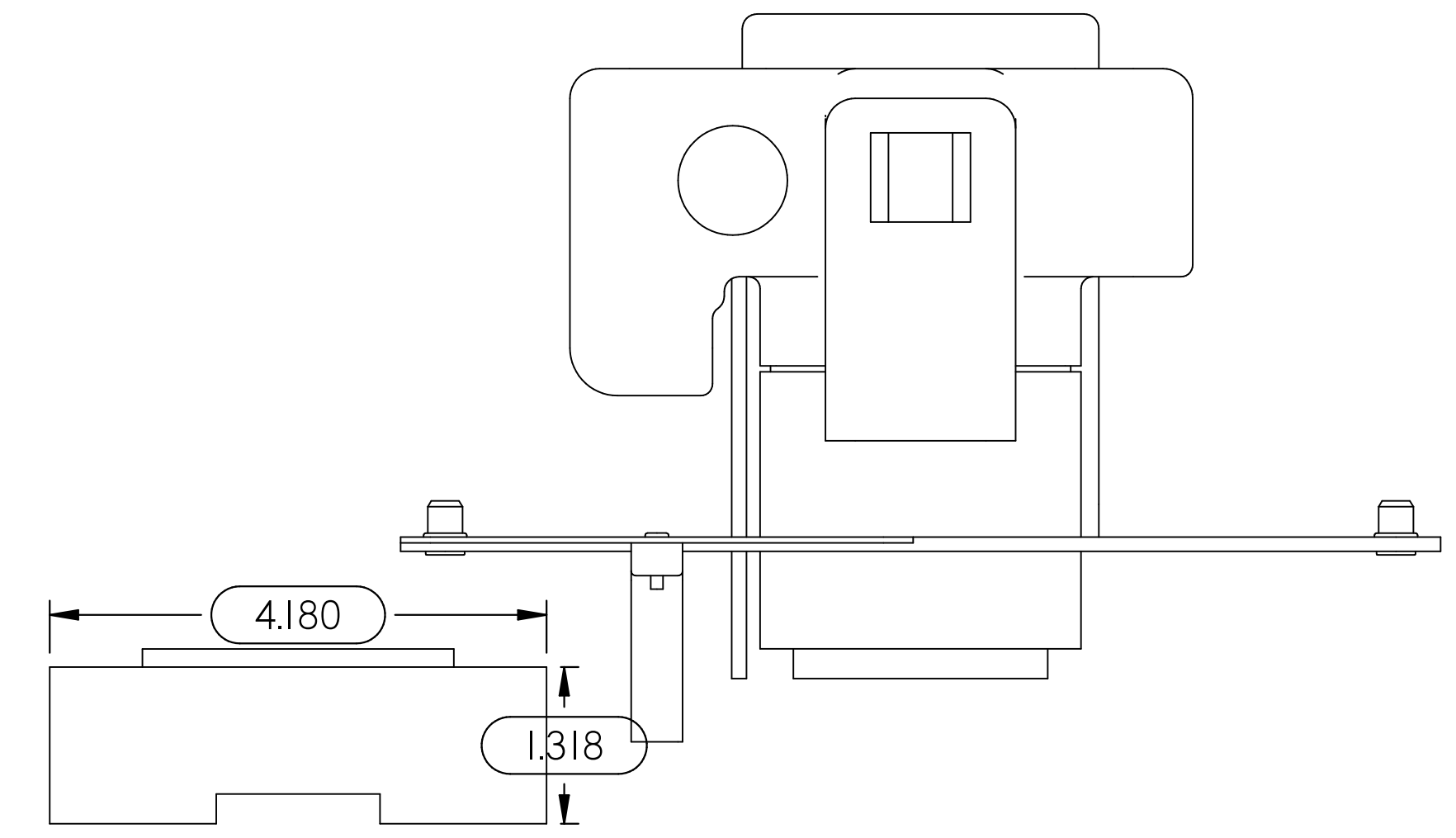
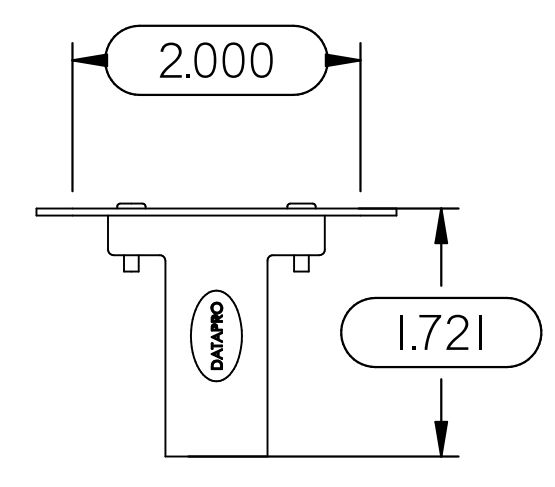
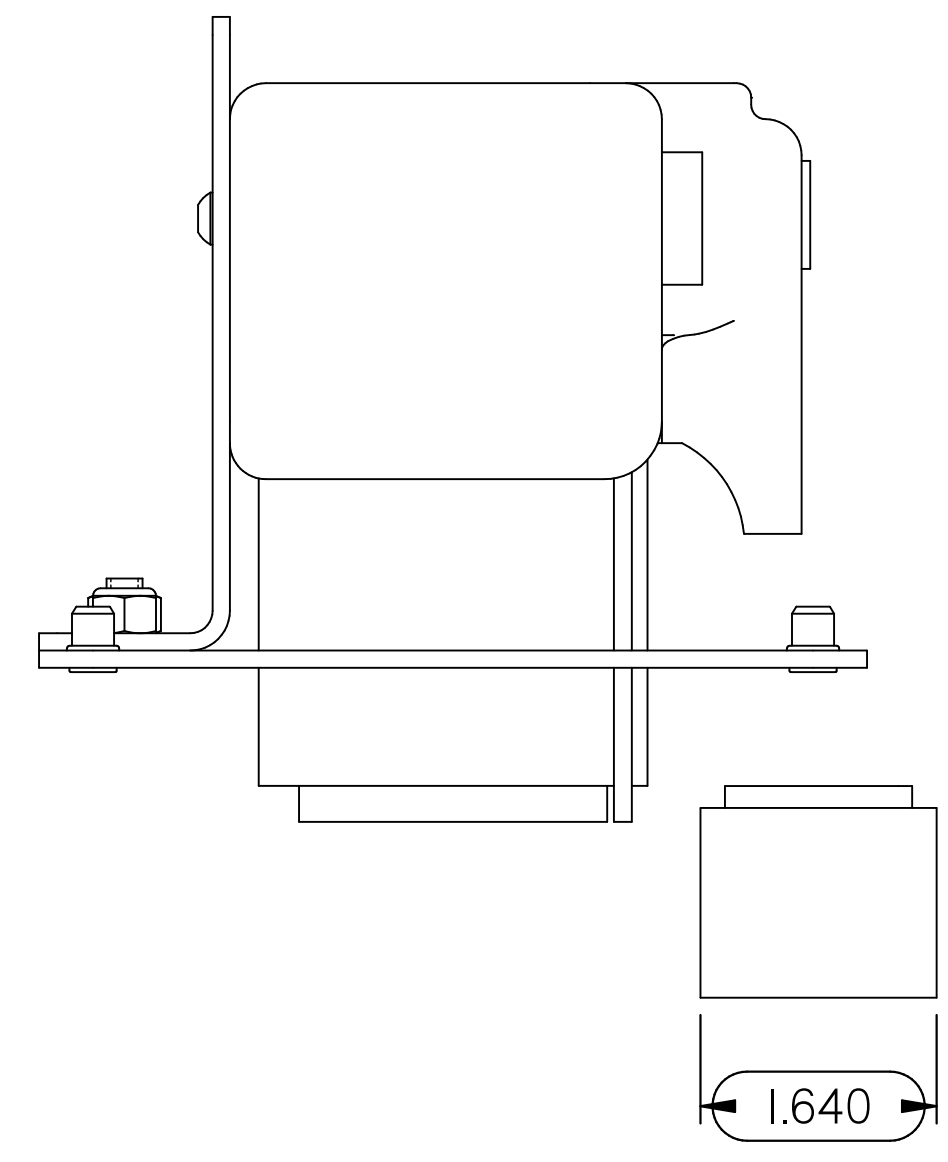
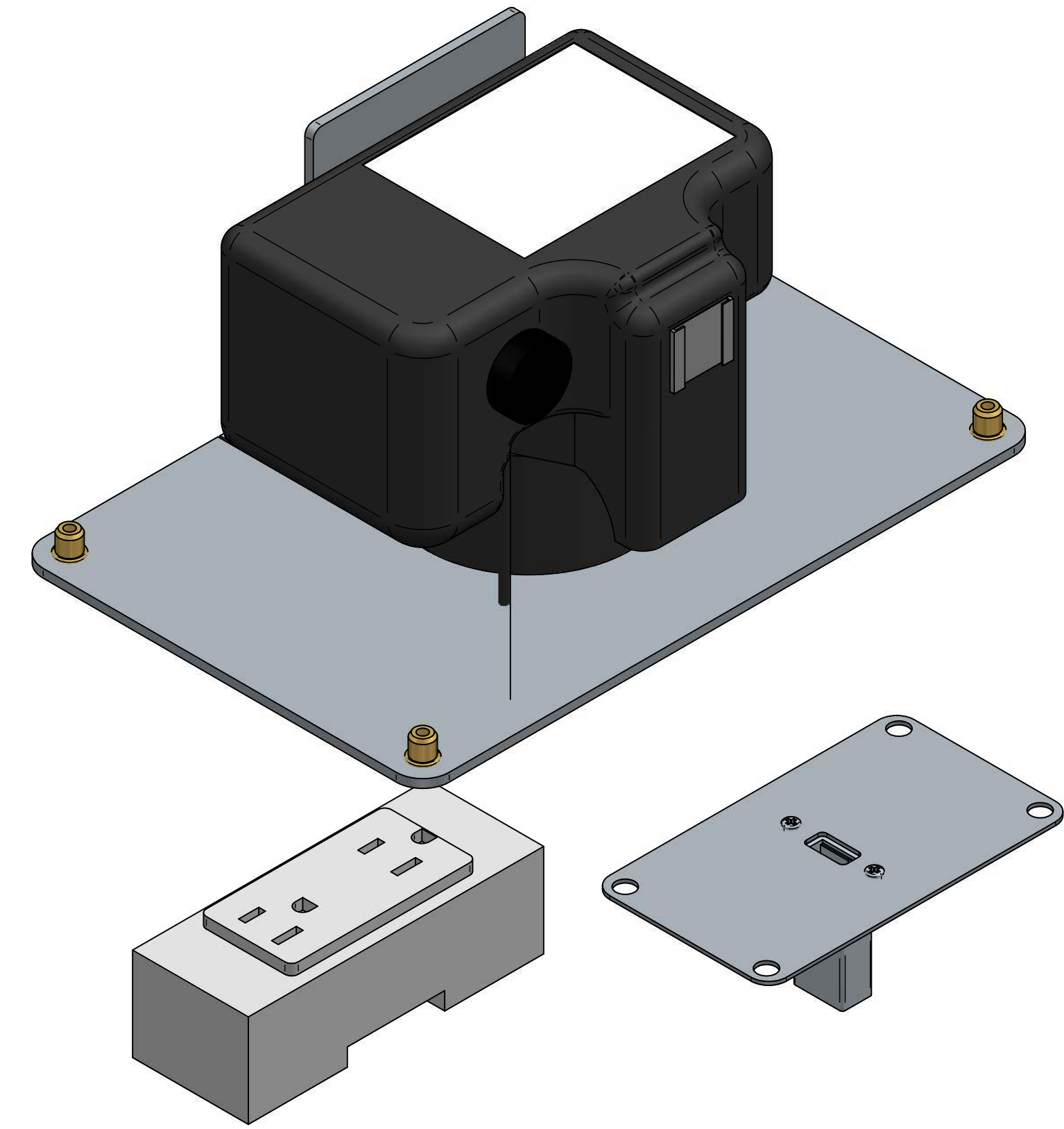
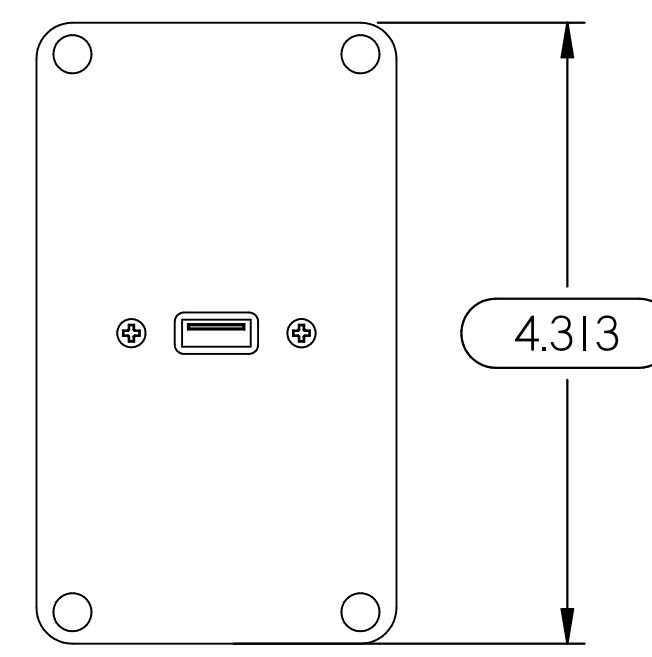
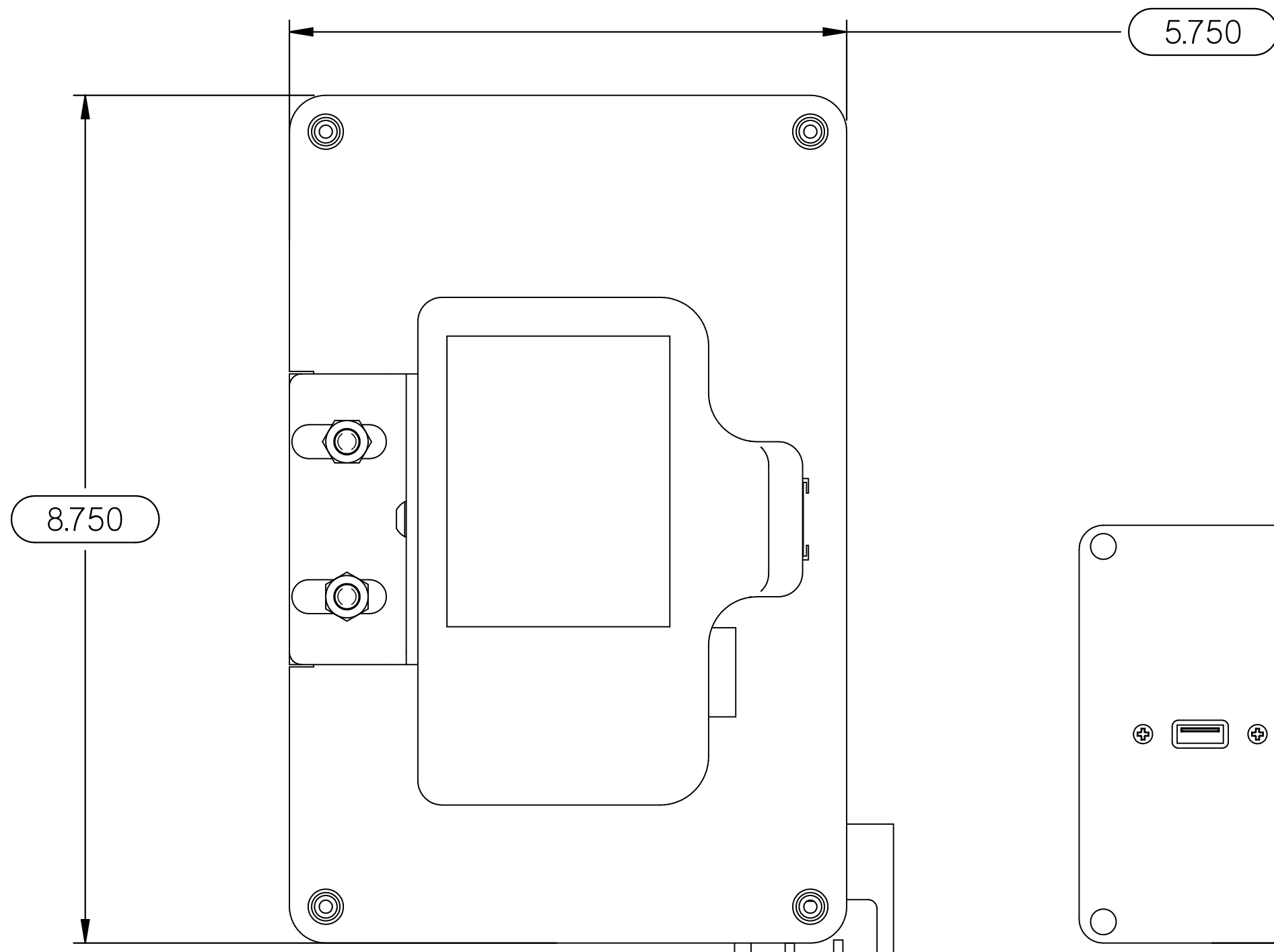


REV	DESCRIPTION	DATE	ECN #	APPR
A	INITIAL RELEASE	28-JUN-22		JJ
B	ADDED GUSSETS TO BRACKETS	24-AUG-22	1115	DA
C	UPDATE MODEL	9/7/2022	1118	JJ
D	REVISED S8663	9/4/24	1244	JD



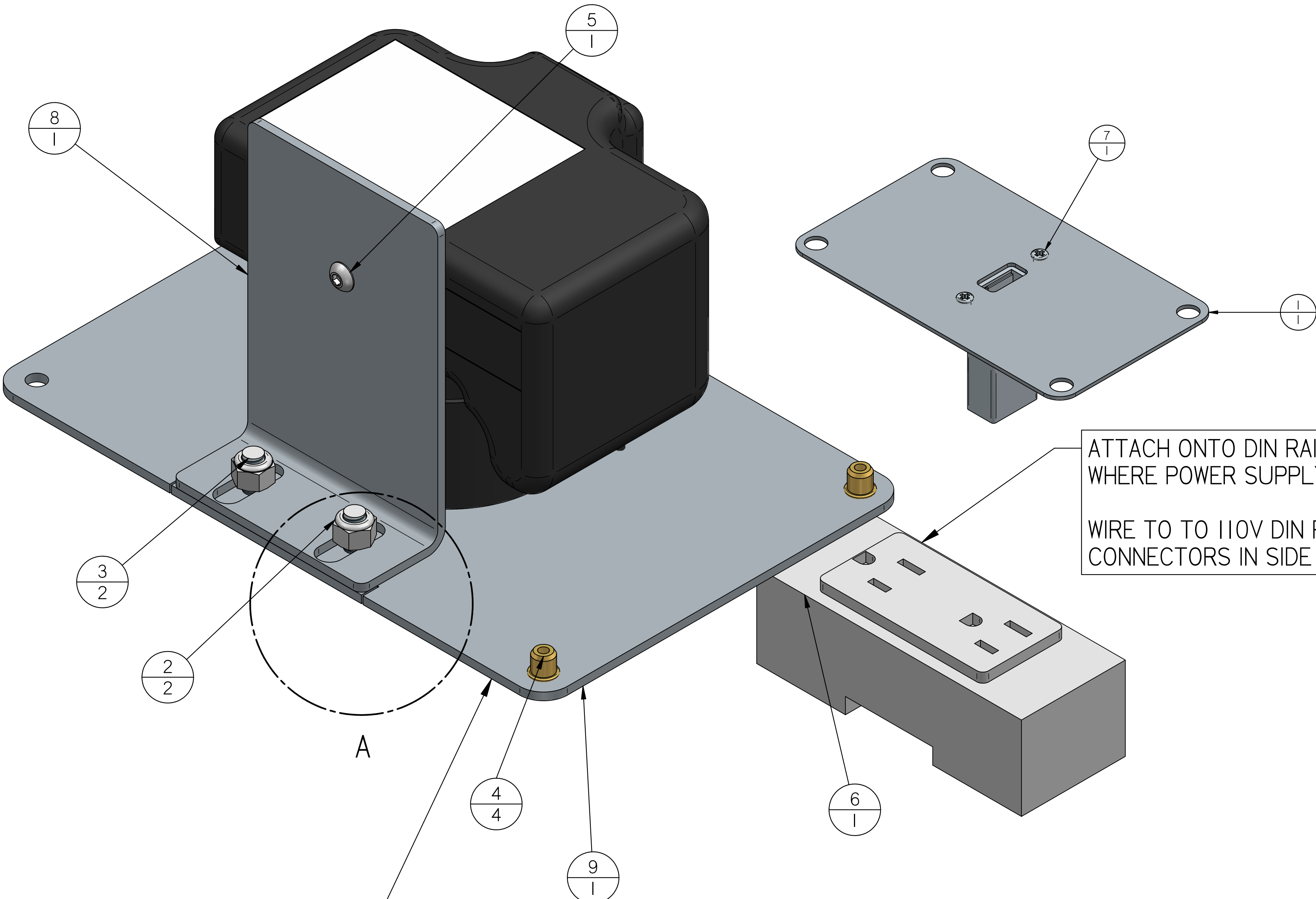
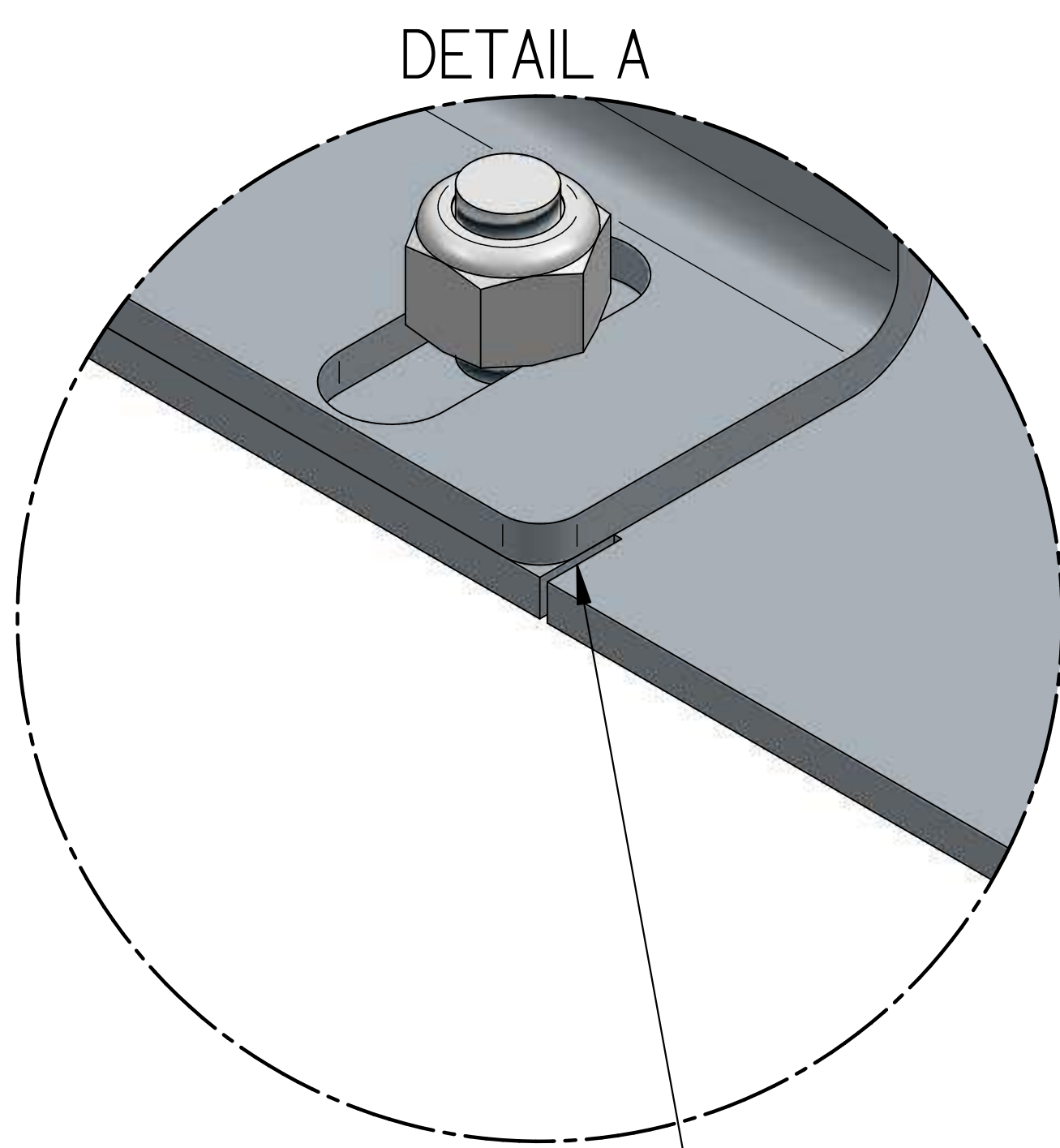
THIS DOCUMENT CONTAINS PROPRIETARY INFORMATION OF MOPEC, AND MAY NOT BE COPIED IN WHOLE OR PART, AND NO USE SHALL BE MADE OF IT OTHER THAN FOR WHICH IT HAS BEEN SUBMITTED WITHOUT THE WRITTEN PERMISSION OF A MOPEC MANAGER MOPEC 2024	UNLESS OTHERWISE SPECIFIED ALL DIMENSIONS IN INCHES TOLERANCES 0.0 ± 0.1 in 0.00 ± 0.05 in 0.000 ± 0.010 in 0.0000 ± 0.0010 in ANGLES ± 0.5° BREAK ALL CORNERS 0.063 X 45° ALL FILLET RADII R0.063 / 0.125 in INSPECT OVAL DIMENSIONS	 MOPEC MORTECH <small>ADVANCED TECHNOLOGY MANUFACTURING</small>	DRAWN BY B. LAY DATE 9/4/2024	PART NUMBER AX043-D
			CHECKED BY DATE 9/4/2024	DESCRIPTION MAESTRO, PATHCAM SYSTEM, ADVANCED
APPROVED BY DATE M. McCLAIN 9/4/2024			SIZE A2 FILE NAME AX043-D.dft	SCALE 1:1.33
DRAWN TO 3RD ANGLE PROJECTION			DO NOT SCALE IF IN DOUBT ASK	SHEET 1 OF 2

AX043-D.dft

NOTE:
PARTS ARE FOR
KITING PURPOSES ONLY

CAMERA IS REFERENCE ONLY

REV	DESCRIPTION	DATE	ECN #	APPR
A	INITIAL RELEASE	28-JUN-22		JJ
B	ADDED GUSSETS TO BRACKETS	24-AUG-22	1115	DA
C	UPDATE MODEL	9/7/2022	1118	JJ
D	REVISED S8663	9/4/24	1244	JD



ATTACH ONTO DIN RAIL,
WHERE POWER SUPPLY IS LOCATED
WIRE TO TO 110V DIN RAIL
CONNECTORS IN SIDE PANEL

REMOVE ORIGINAL COVER
AND REPLACE WITH NEW COVER
(RETURN ORIGINAL COVER
TO STOCK)

NOTICE LOCATION CUT MARKS FOR HOLSTER

Item #	Qty.	File Name	Title	Material	Rev.
1	1	M-4311.psm	USB PANEL MOUNT BRACKET	SHT, SS, 18 GA, 304	A
2	2	PB0016.par	NUT - SS, 1/4"-20, NYLON LOCK	McMASTER-CARR # 91831A029	A
3	2	PB0247.par	1/4"-20 x 1/2" STUD SS		A
4	4	PB0338.par	#8-32 INSERT SPIN TITE	MARSHALL SALES # AE-KS-832-80	A
5	1	PB0512.par	SCREW - SS, 10-32 x 3/8"L, BUTTON HEAD	McMASTER-CARR # 92949A263	A
6	1	PE0754.par	RECEPTACLE, 15A, 125 VAC, 35MM DIN RAIL MOUNT	AUTOMATION DIRECT: FA-REC2	A
7	1	PE0957.par			
8	1	S6883-G.psm	CAMERA HOLSTER	SHT, SS 11 GA, 304	G
9	1	S7586-B.psm	MAESTRO, PATHCAM COVER PLATE, FOR AXI23	SHT, SS 11 GA, 304	B

THIS DOCUMENT CONTAINS
PROPRIETARY INFORMATION OF
MOPEC, AND MAY NOT BE COPIED IN WHOLE
OR PART, AND NO USE SHALL BE MADE OF
IT OTHER THAN FOR WHICH IT HAS BEEN
SUBMITTED WITHOUT THE WRITTEN
PERMISSION OF A MOPEC MANAGER

UNLESS OTHERWISE SPECIFIED
ALL DIMENSIONS IN INCHES
TOLERANCES
0.0 ± 0.1 in
0.00 ± 0.05 in
0.000 ± 0.010 in
0.0000 ± 0.0010 in
ANGLES ±0.5°
BREAK ALL CORNERS 0.063 X 45°
ALL FILLET RADII R0.063 /0.125in
INSPECT OVAL DIMENSIONS



DRAWN BY
B. LAY
DATE: 9/4/2024
CHECKED BY
DATE: 9/4/2024
APPROVED BY
DATE: M.McCLAIN
9/4/2024

PART NUMBER: AX043-D
DESCRIPTION: MAESTRO, PATHCAM SYSTEM, ADVANCED
SIZE: A2 FILE NAME: AX043-D.dft
SCALE: 1.25:1
DO NOT SCALE IF IN DOUBT ASK
SHEET 2 OF 2

AX043-D.dft