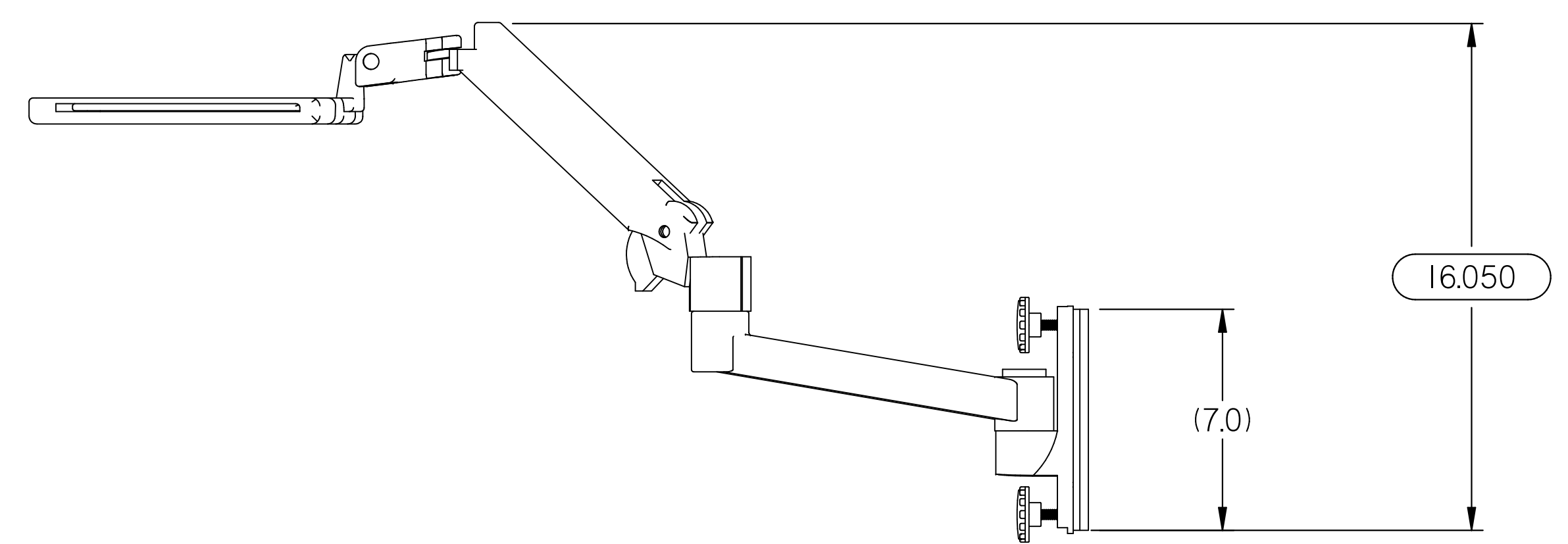
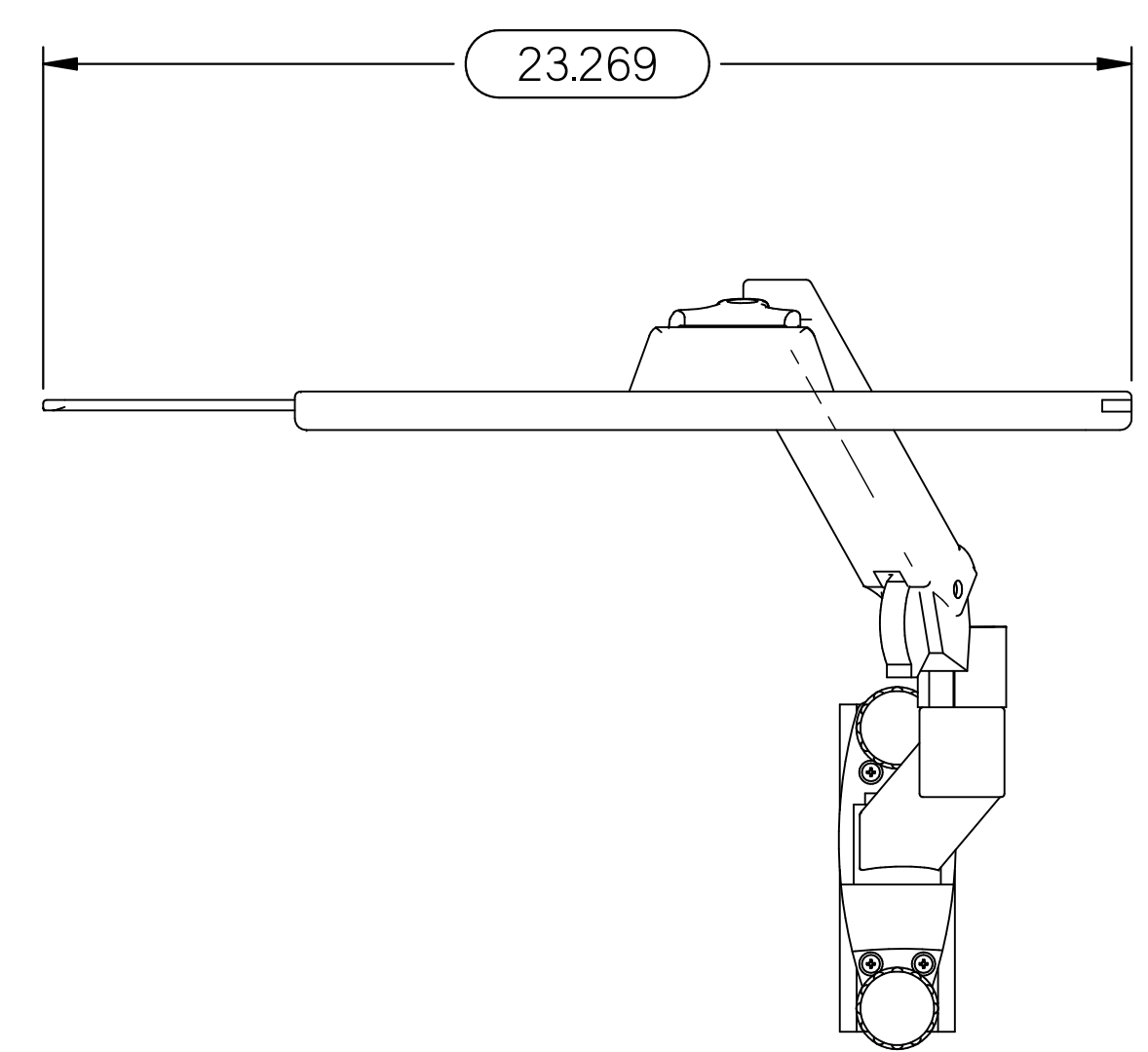
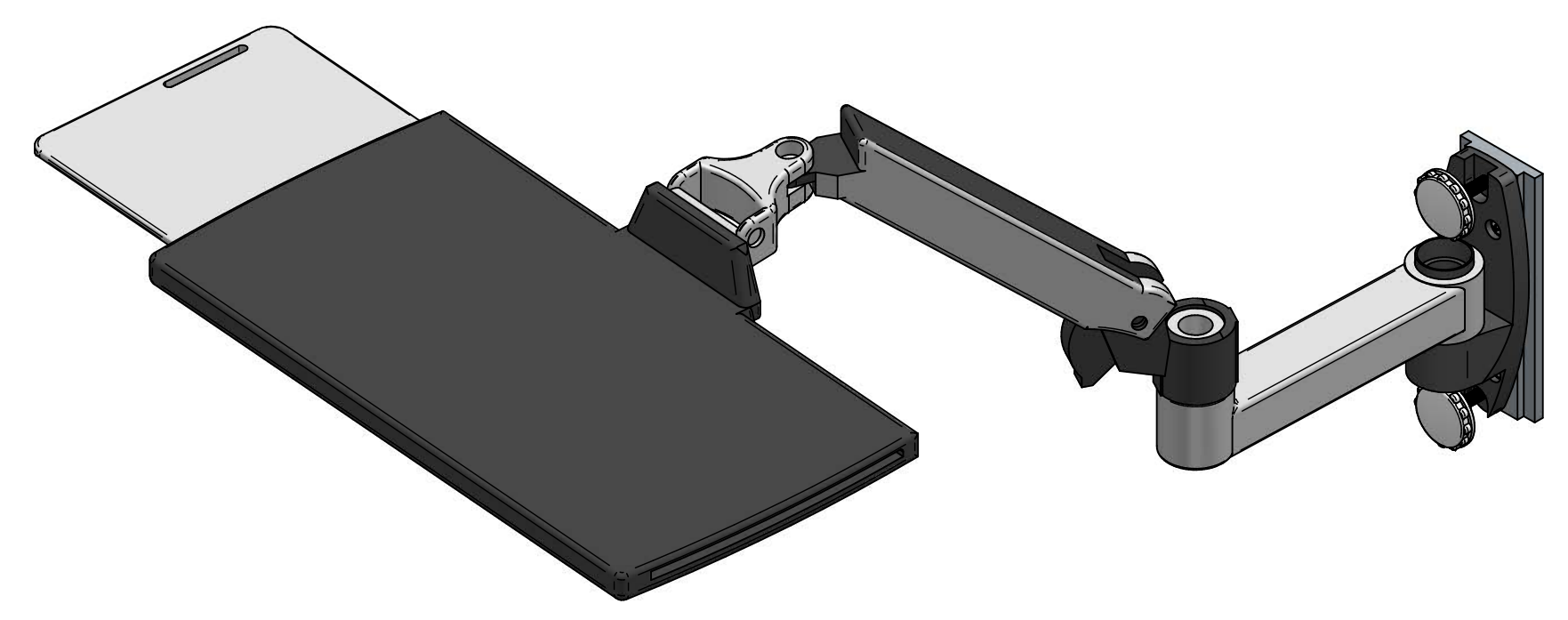
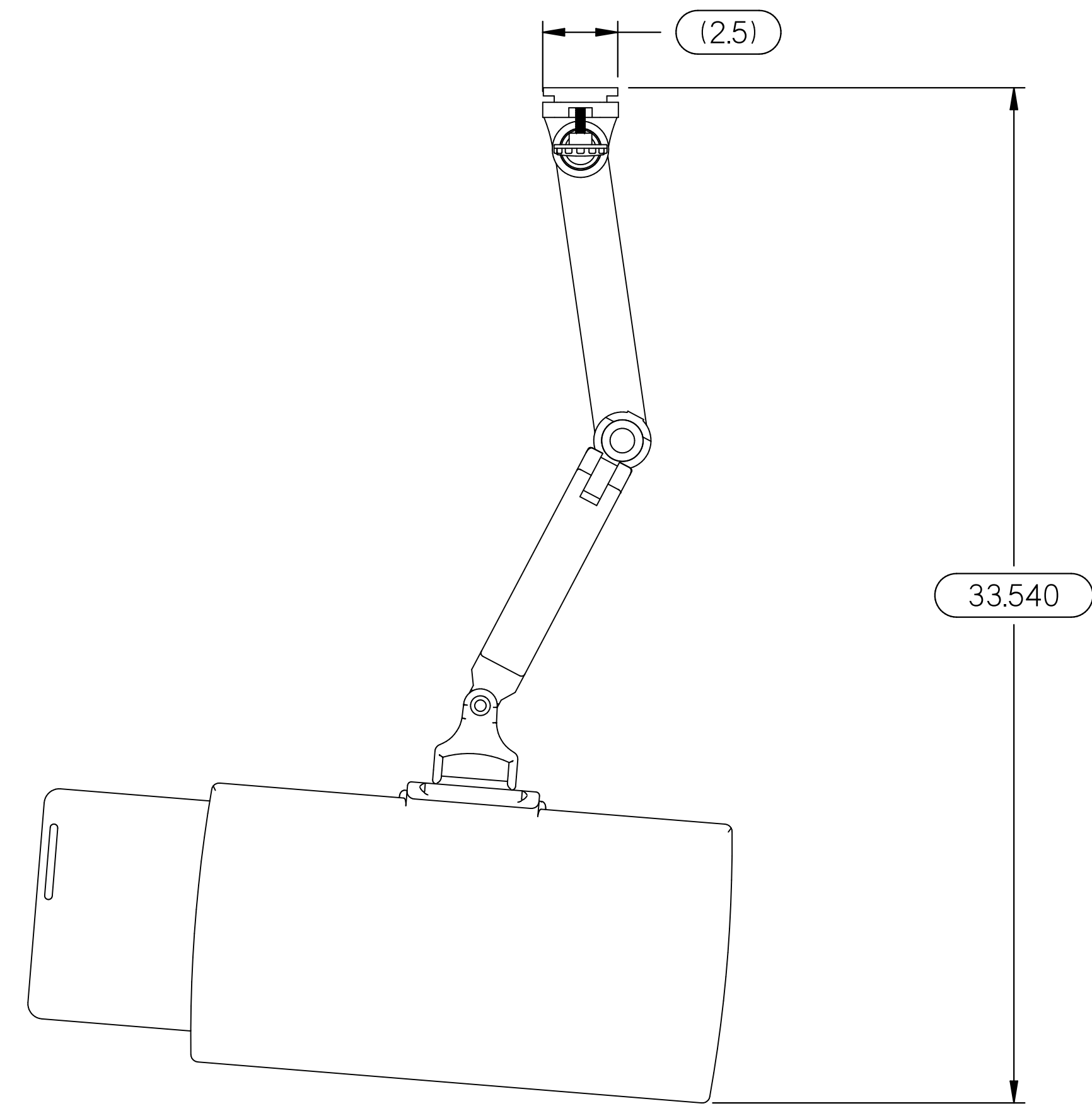


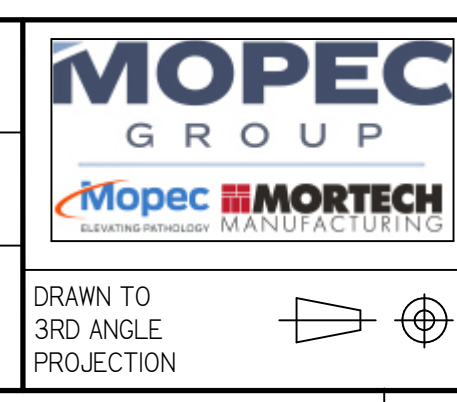
REV	DESCRIPTION	DATE	ECN #	APPR
A	INITIAL RELEASE	00-XXX-19	XXXXX	MM



Item Number	Quantity	File Name	Title	Material	Revision
1	4	PB0024.par	SCREW - SS, 8-32 x 3/4"L, TRUSS PHILLIPS	McMASTER-CARR # 91770A197	
2	2	PL0091.par	5/16"-18 x 1-1/2"L KNOB	Stainless steel	A
3	1	PM0354.asm	LX KEYBOARD ARM WALL MOUNT		
4	1	S6836-B.par	AX ACCESSORY MOUNT	RM0258, FLAT, AL, 1/2" X 2-1/2", 6061	B

THIS DOCUMENT CONTAINS PROPRIETARY INFORMATION OF MOPEC, AND MAY NOT BE COPIED IN WHOLE OR PART, AND NO USE SHALL BE MADE OF IT OTHER THAN FOR WHICH IT HAS BEEN SUBMITTED WITHOUT THE WRITTEN PERMISSION OF A MOPEC MANAGER
 MOPEC 2024

UNLESS OTHERWISE SPECIFIED ALL DIMENSIONS IN INCHES
 TOLERANCES 0.0 ± 0.1 in
 0.00 ± 0.05 in
 0.000 ± 0.010 in
 0.0000 ± 0.0010 in
 ANGLES ±0.5°
 BREAK ALL CORNERS 0.063 X 45°
 ALL FILLET RADII R0.063 /0.125in
 INSPECT OVAL DIMENSIONS

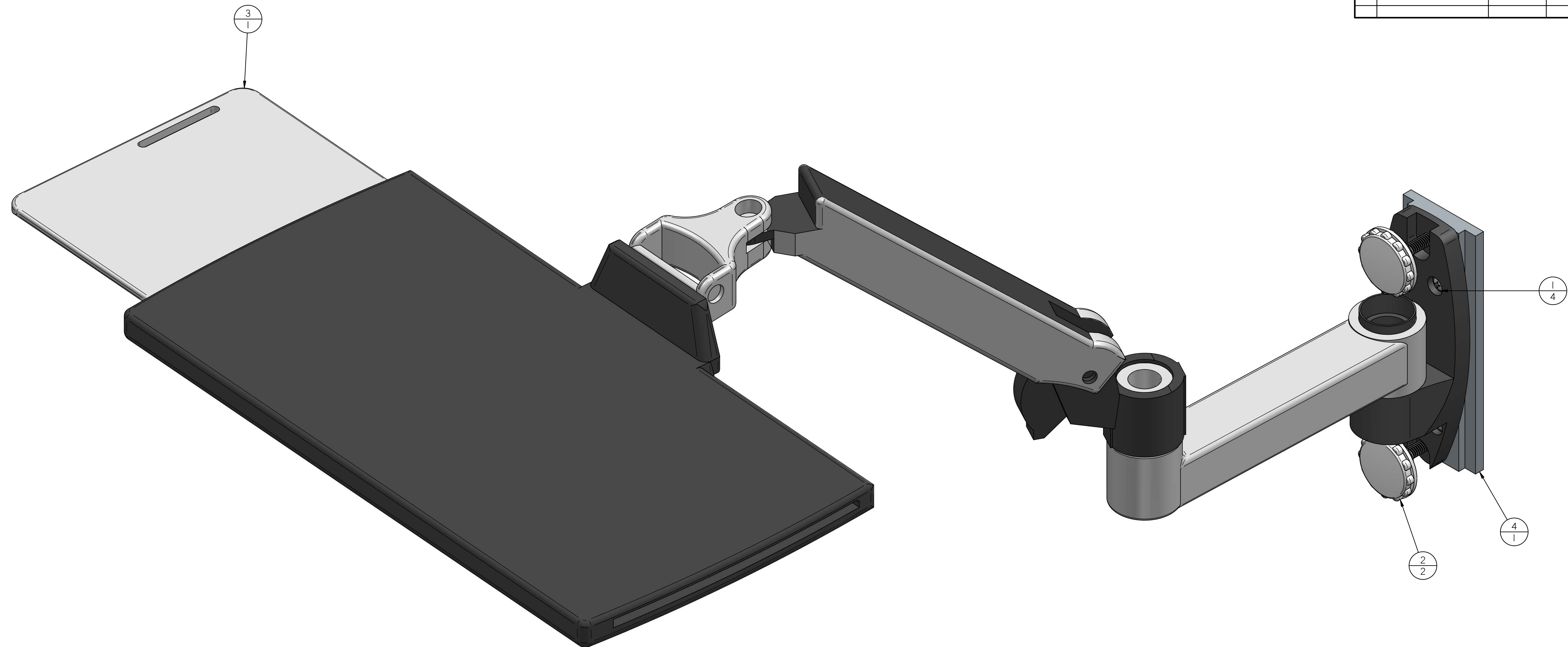


DRAWN BY: B. LAY
 DATE: 1/29/2020
 CHECKED BY:
 DATE: 1/29/2020
 APPROVED BY: M. McClain
 DATE: 1/29/2020

PART NUMBER	AX032-A
DESCRIPTION	COLUMN, KEYBOARD ARM
SIZE	A2
FILE NAME	AX032-A.dft
SCALE	1:4
DO NOT SCALE IF IN DOUBT ASK	
SHEET	1 OF 2

AX032-A.dft

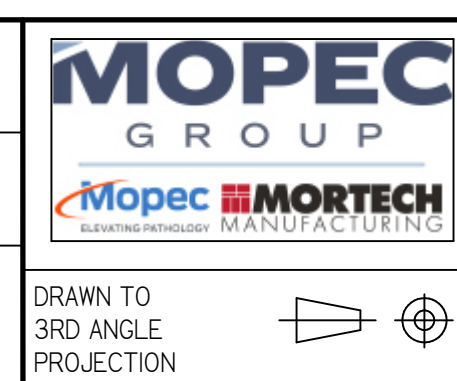
REV	DESCRIPTION	DATE	ECN #	APPR
A	INITIAL RELEASE	00-XXX-19	XXXXX	MM



Item Number	File Name (no extension)	Author	Quantity
1	PB0024	mmitchell	4
2	PL009I	jbourbeau	2
3	PM0354	jrudolph	1
4	S6836-B	ehankins	1

THIS DOCUMENT CONTAINS PROPRIETARY INFORMATION OF MOPEC, AND MAY NOT BE COPIED IN WHOLE OR PART, AND NO USE SHALL BE MADE OF IT OTHER THAN FOR WHICH IT HAS BEEN SUBMITTED WITHOUT THE WRITTEN PERMISSION OF A MOPEC MANAGER
MOPEC 2024

UNLESS OTHERWISE SPECIFIED ALL DIMENSIONS IN INCHES
TOLERANCES 0.0 ± 0.1 in
0.00 ± 0.05 in
0.000 ± 0.010 in
0.0000 ± 0.0010 in
ANGLES ± 0.5°
BREAK ALL CORNERS 0.063 X 45°
ALL FILLET RADII R0.063 / 0.125 in
INSPECT OVAL DIMENSIONS



DRAWN BY B. LAY
DATE 1/29/2020
CHECKED BY
DATE 1/29/2020
APPROVED BY
DATE M. McCLAIN 1/29/2020

PART NUMBER	AX032-A
DESCRIPTION	COLUMN, KEYBOARD ARM
SIZE	A2
FILE NAME	AX032-A.dft
SCALE	1:1
DO NOT SCALE IF IN DOUBT ASK	SHEET 2 OF 2

AX032-A.dft