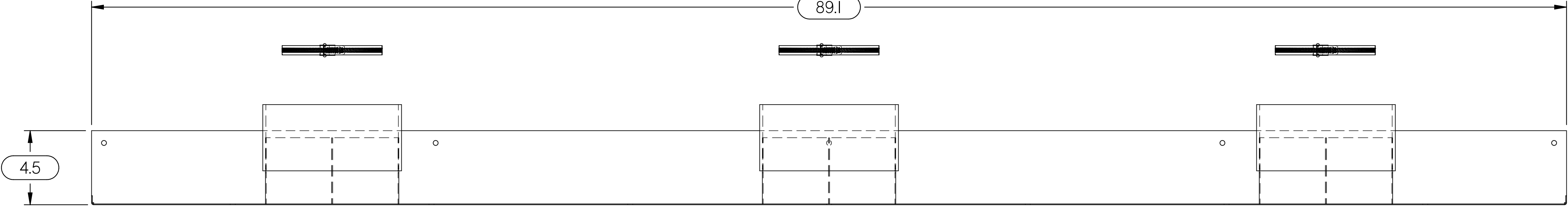
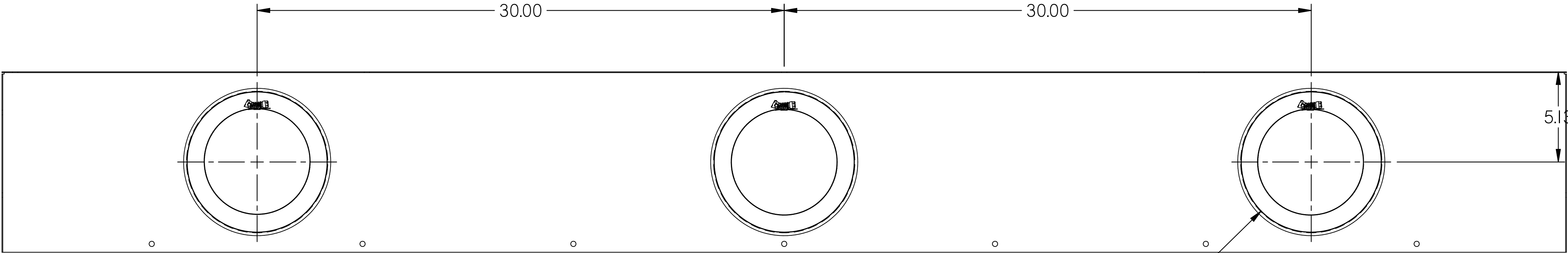
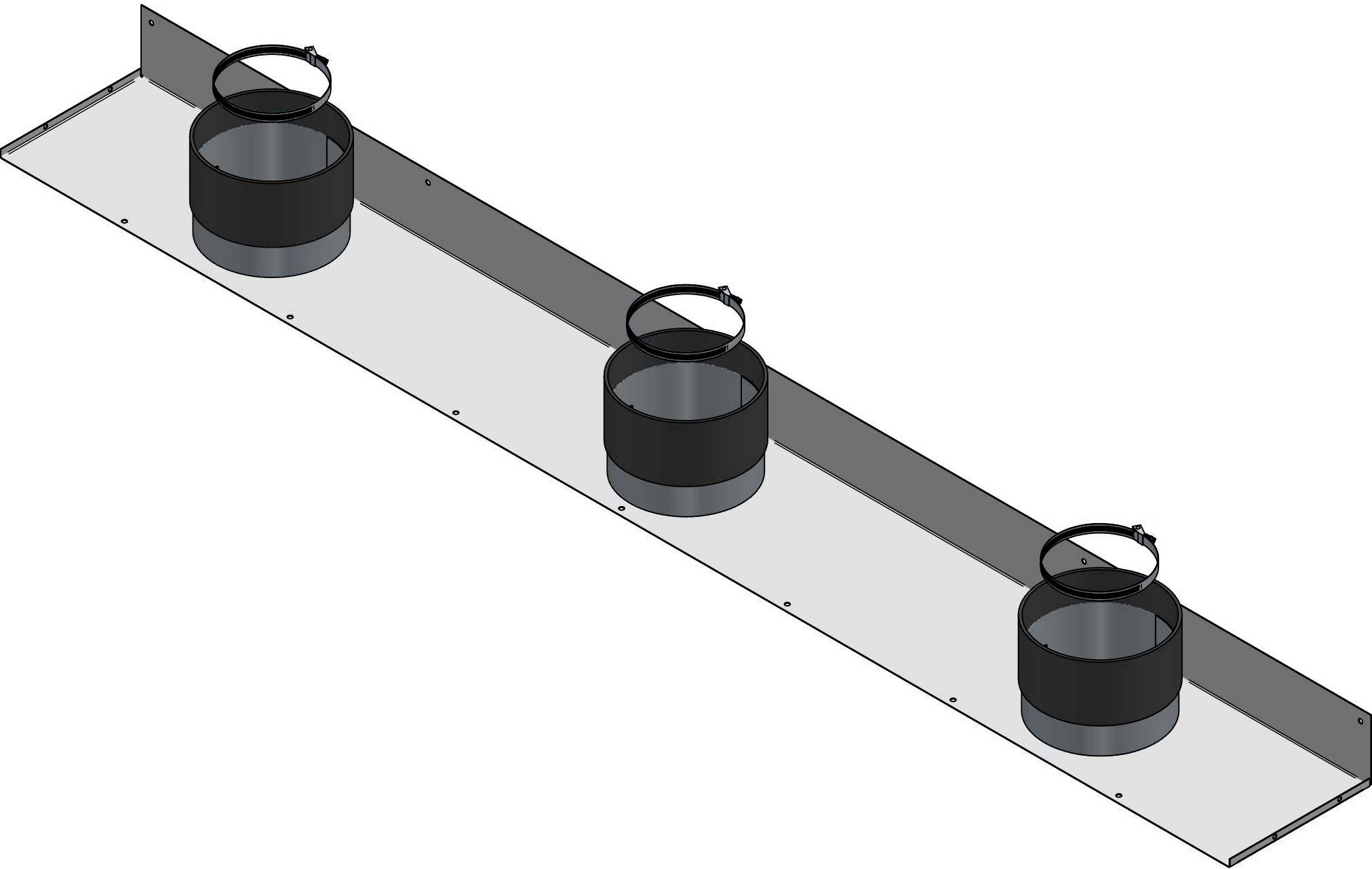


REV	DESCRIPTION	DATE	ECN #	APPR
A	INITIAL RELEASE	00-XXX-19	XXXXX	MM



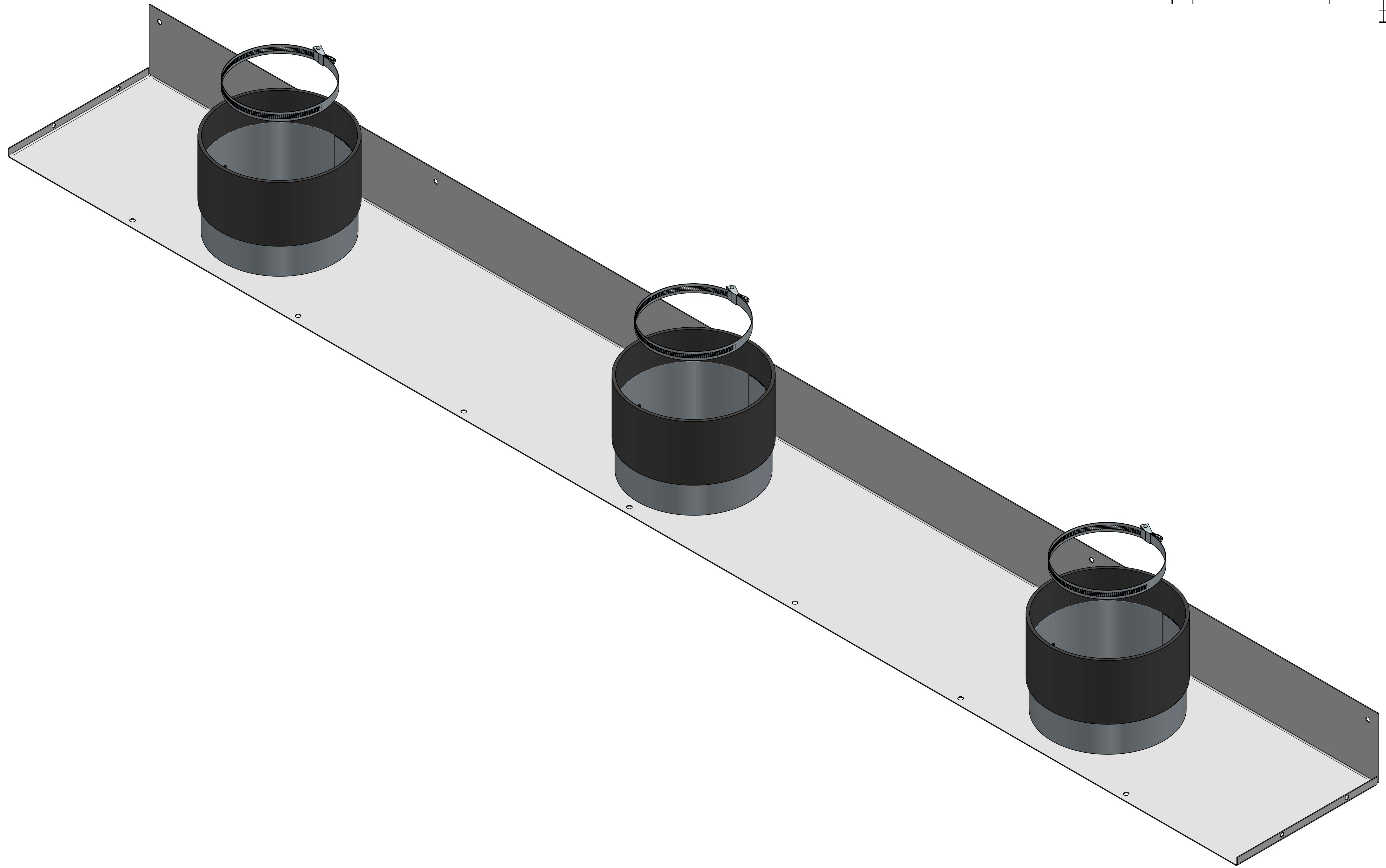
THIS DOCUMENT CONTAINS PROPRIETARY INFORMATION OF MOPEC, AND MAY NOT BE COPIED IN WHOLE OR PART, AND NO USE SHALL BE MADE OF IT OTHER THAN FOR WHICH IT HAS BEEN SUBMITTED WITHOUT THE WRITTEN PERMISSION OF A MOPEC MANAGER MOPEC 2024	UNLESS OTHERWISE SPECIFIED ALL DIMENSIONS IN INCHES TOLERANCES 0.0 ± 0.1 in 0.00 ± 0.05 in 0.000 ± 0.010 in 0.0000 ± 0.0010 in ANGLES ±0.5° BREAK ALL CORNERS 0.063 X 45° ALL FILLET RADII R0.063 /0.125in INSPECT OVAL DIMENSIONS	 DRAWN TO 3RD ANGLE PROJECTION	DRAWN BY A. SALAME DATE: 2/27/2025	PART NUMBER AX110-096-A
			CHECKED BY DATE: 2/27/2025	DESCRIPTION MAESTRO, RECIRCULATING TO IN HOUSE KIT, 96 IN UNITS
APPROVED BY DATE: M.McCLAIN 2/27/2025			SIZE A2	FILE NAME AX110-096-A.dft
SCALE 1:6.67			DO NOT SCALE IF IN DOUBT ASK	SHEET 1 OF 2

AX110-096-A.dft



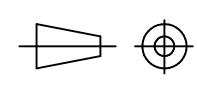
I 2 3 4 5 6 7 8 9 10 11

REV	DESCRIPTION	DATE	ECN #	APPR
A	INITIAL RELEASE	00-XXX-19	XXXXX	MM

A
B
C
D
E
F
G
H



A
B
C
D
E
F
G
H

<p>THIS DOCUMENT CONTAINS PROPRIETARY INFORMATION OF MOPEC, AND MAY NOT BE COPIED IN WHOLE OR PART, AND NO USE SHALL BE MADE OF IT OTHER THAN FOR WHICH IT HAS BEEN SUBMITTED WITHOUT THE WRITTEN PERMISSION OF A MOPEC MANAGER</p> <p>MOPEC 2024</p>	<p>UNLESS OTHERWISE SPECIFIED ALL DIMENSIONS IN INCHES</p> <p>TOLERANCES</p> <table border="0"> <tr> <td>0.0</td> <td>± 0.1 in</td> </tr> <tr> <td>0.00</td> <td>± 0.05 in</td> </tr> <tr> <td>0.000</td> <td>± 0.010 in</td> </tr> <tr> <td>0.0000</td> <td>± 0.0010 in</td> </tr> <tr> <td>ANGLES</td> <td>± 0.5°</td> </tr> </table> <p>BREAK ALL CORNERS 0.063 X 45° ALL FILLET RADII R0.063 / 0.125 in INSPECT OVAL DIMENSIONS</p>	0.0	± 0.1 in	0.00	± 0.05 in	0.000	± 0.010 in	0.0000	± 0.0010 in	ANGLES	± 0.5°	 <p>MOPEC GROUP</p>  <p>MORTECH MANUFACTURING</p>	<p>DRAWN BY: A. SALAME</p> <p>DATE: 2/27/2025</p>	<p>PART NUMBER: AX110-096-A</p>	
		0.0	± 0.1 in												
0.00	± 0.05 in														
0.000	± 0.010 in														
0.0000	± 0.0010 in														
ANGLES	± 0.5°														
<p>DRAWN TO 3RD ANGLE PROJECTION</p> 	<p>CHECKED BY: ---</p> <p>DATE: 2/27/2025</p>	<p>DESCRIPTION: MAESTRO, RECIRCULATING TO IN HOUSE KIT, 96 IN UNITS</p>	<p>SIZE: A2</p> <p>FILE NAME: AX110-096-A.dft</p>	<p>REV: A</p>											
			<p>APPROVED BY: M. McCLAIN</p> <p>DATE: 2/27/2025</p>	<p>SCALE: 1:1</p>	<p>DO NOT SCALE IF IN DOUBT ASK</p>	<p>SHEET 2 OF 2</p>									

I 2 3 4 5 6 7 8 9 10 11

AX110-096-A.dft