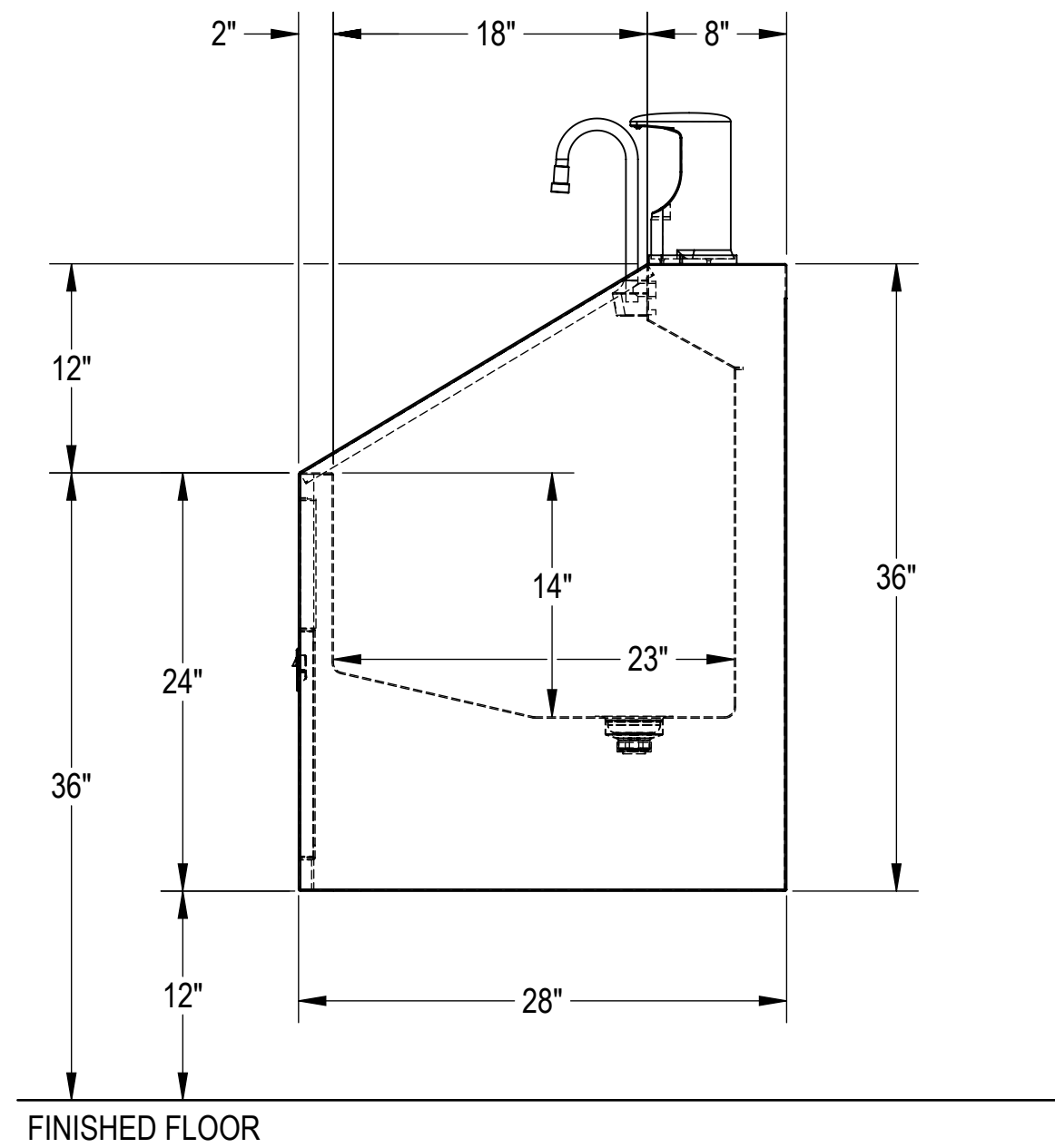
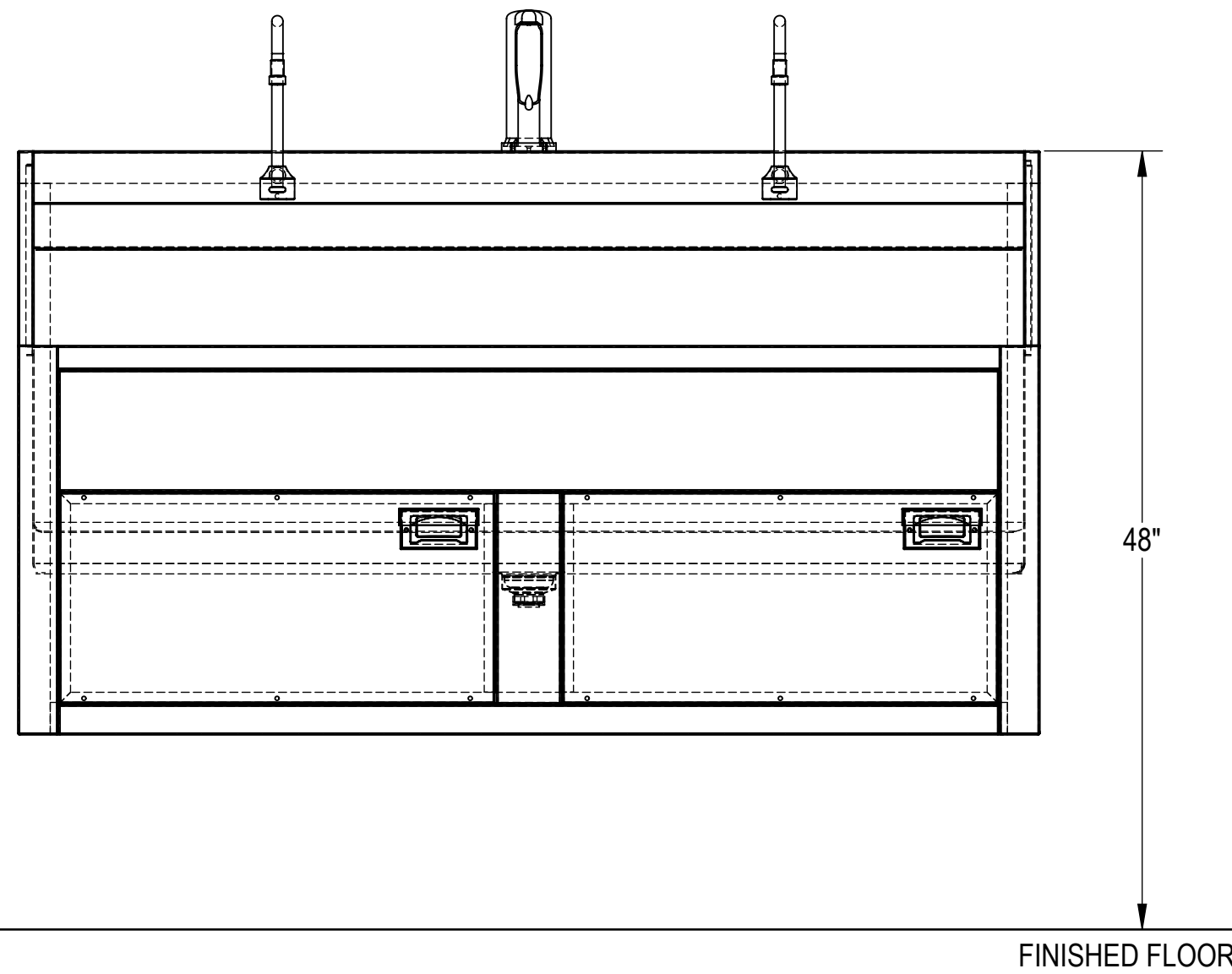
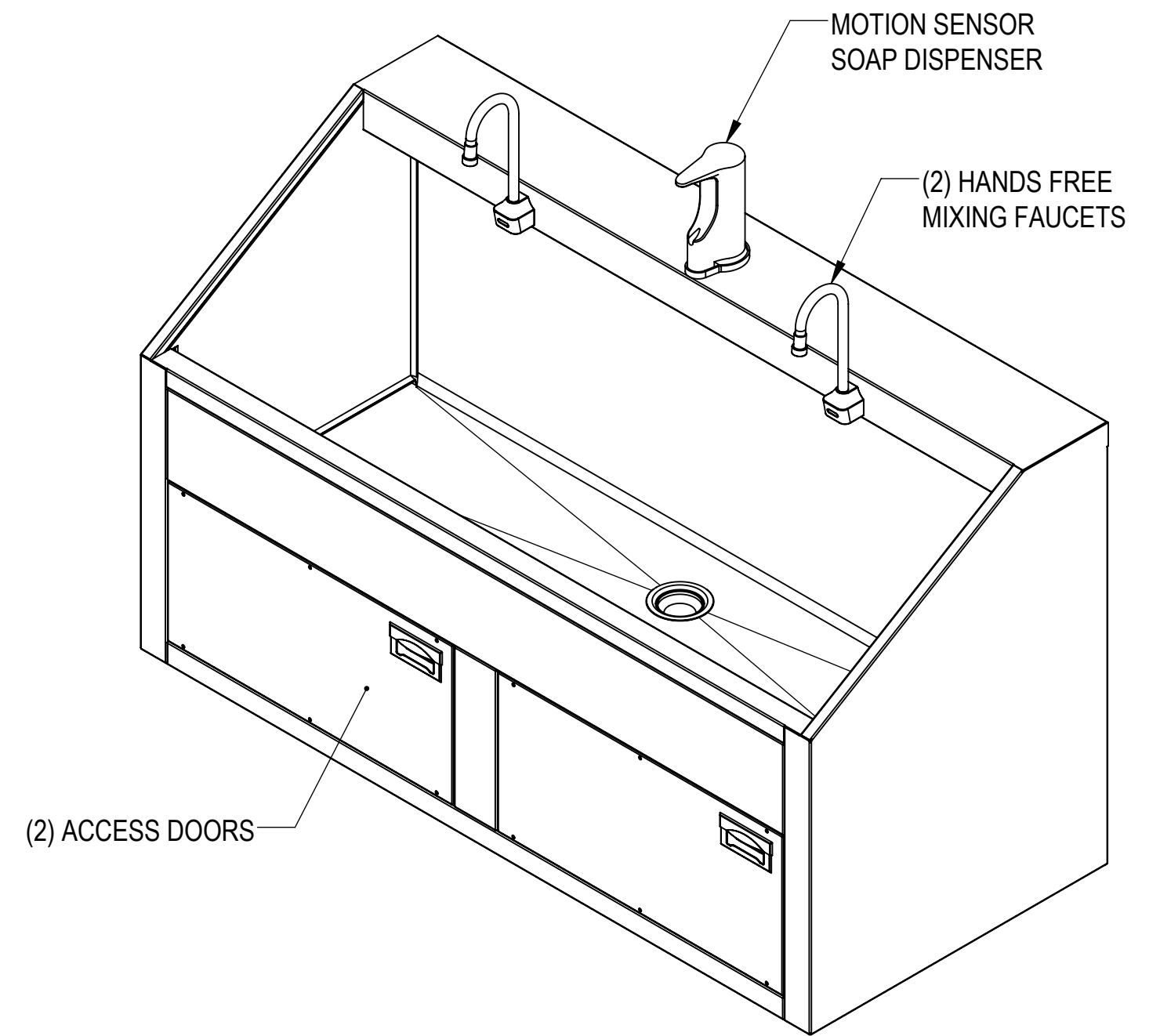
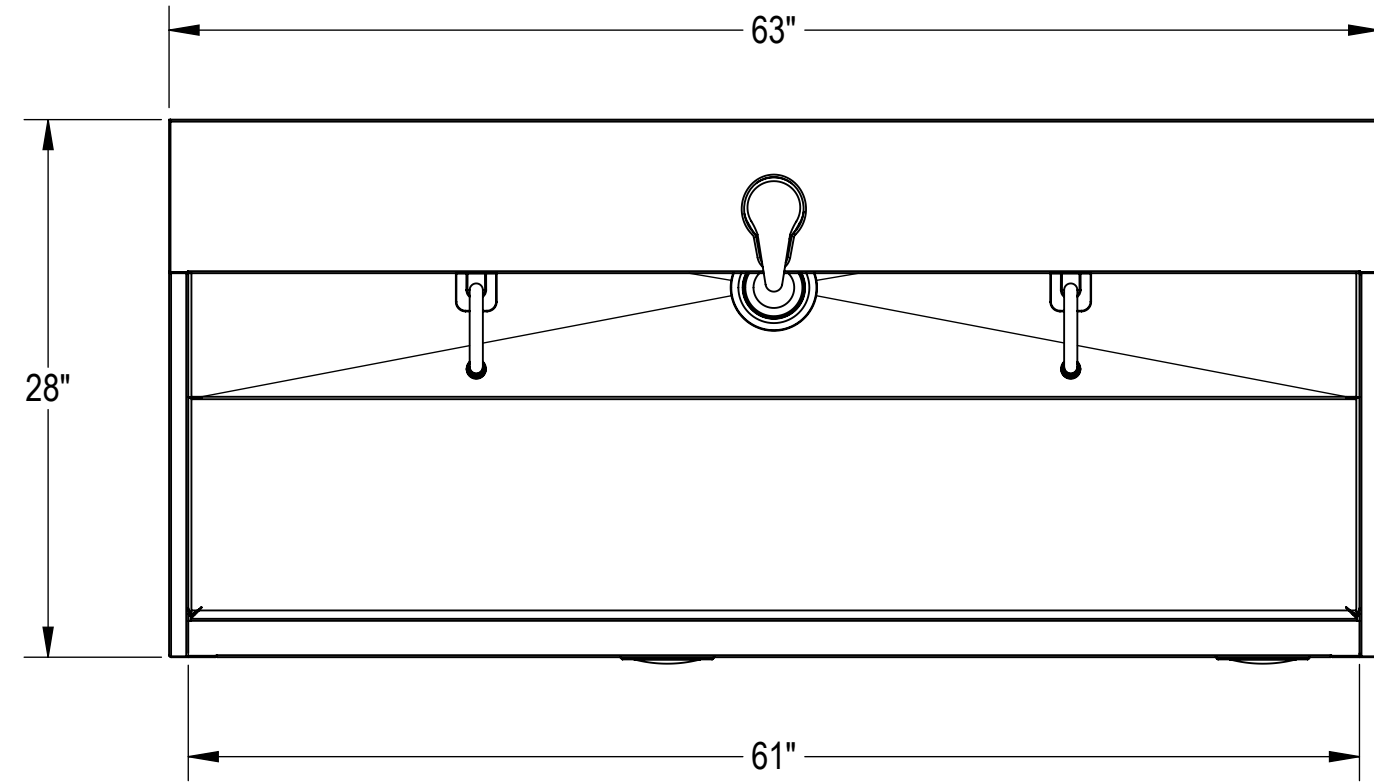


NOTES: UNLESS OTHERWISE SPECIFIED

1. APPLICABLE STANDARDS AND SPECIFICATIONS;
ANSI Y14.5M, DIMENSIONS AND TOLERANCES
ANSI Y1.1, ABBREVIATIONS



| | |
|----------|-----------|
| CUSTOMER | APPROVAL |
| PROJECT | SIGNATURE |
| | DATE |

| | |
|----------------------------------------------------------------------------------------------------------------------------------------------------------------------------------------------|-------------|
| PROPRIETARY | |
| THIS DOCUMENT AND THE DATE DISCLOSED HEREIN AND HEREWITH IS NOT TO BE REPRODUCED, USED, OR OTHERWISE DISCLOSED IN WHOLE OR IN PART TO ANYONE WITHOUT WRITTEN AUTHORIZATION FROM MORTECH MFG. | |
| DO NOT SCALE DRAWING | APPROVALS |
| MATERIAL | DRAWN BY |
| 304 STAINLESS STEEL | ELISEO S. |
| CHECKED BY | DATE |
| FINISH | APPROVED BY |
| #4 SATIN | |

| | | |
|----------------------|-------------|----------|
| DO NOT SCALE DRAWING | | |
| MATERIAL | DRAWN BY | DATE |
| 304 STAINLESS STEEL | ELISEO S. | 02/27/17 |
| CHECKED BY | | |
| FINISH | APPROVED BY | |
| #4 SATIN | | |

MOPEC GROUP **Mopec** **MORTECH**
ELEVATING PATHOLOGY MANUFACTURING

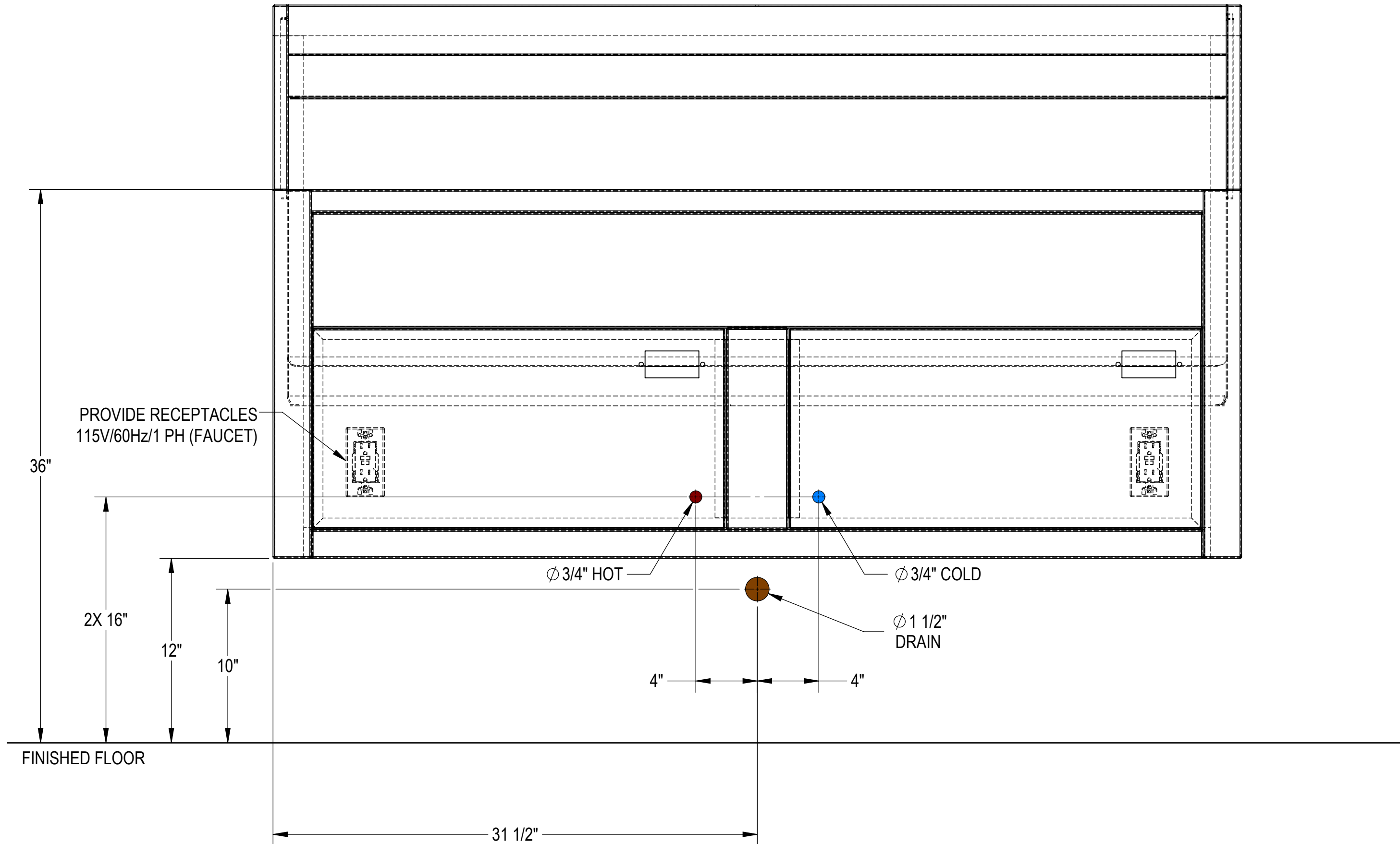
TITLE: **MODEL SS102**
DOUBLE SCRUB STATION, HANDS FREE



SIZE: **C** DWG NO.: **SS102AP** REV.: **X01**

SCALE: 1:10 NEXT ASSY. SHEET 1 OF 3

UTILITY REQUIREMENT NOTES:

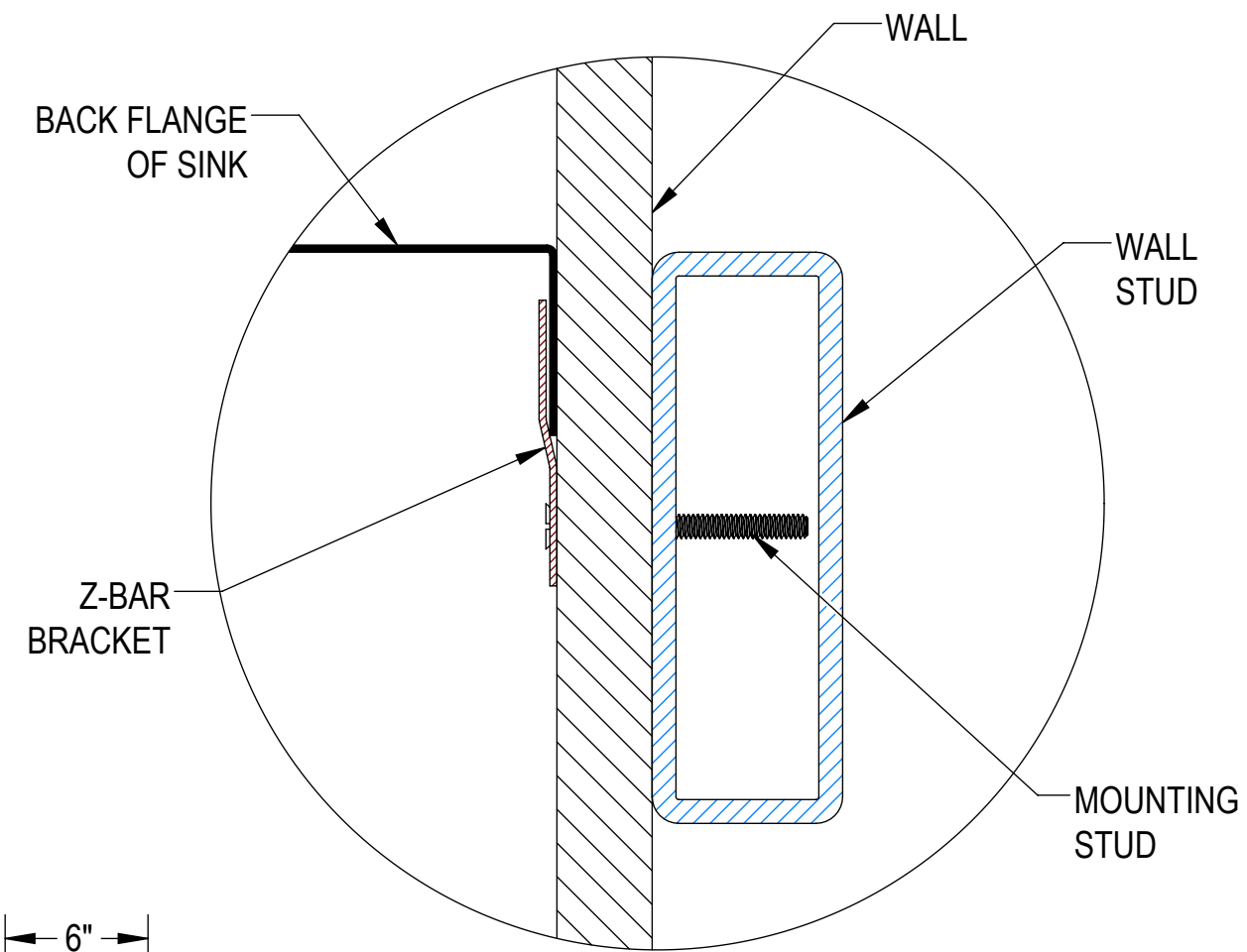
1. FLUSH LINES CLEAR BEFORE CONNECTING TO STATION.
2. PLUMBER TO PROVIDE SHUT-OFF VALVES FOR WATER CONNECTIONS AND P-TRAP FOR DRAIN.
3. PROVIDE RECEPTACLE TO POWER EACH HANDS FREE FAUCET OR SPECIFY BATTERY POWERED FAUCETS.



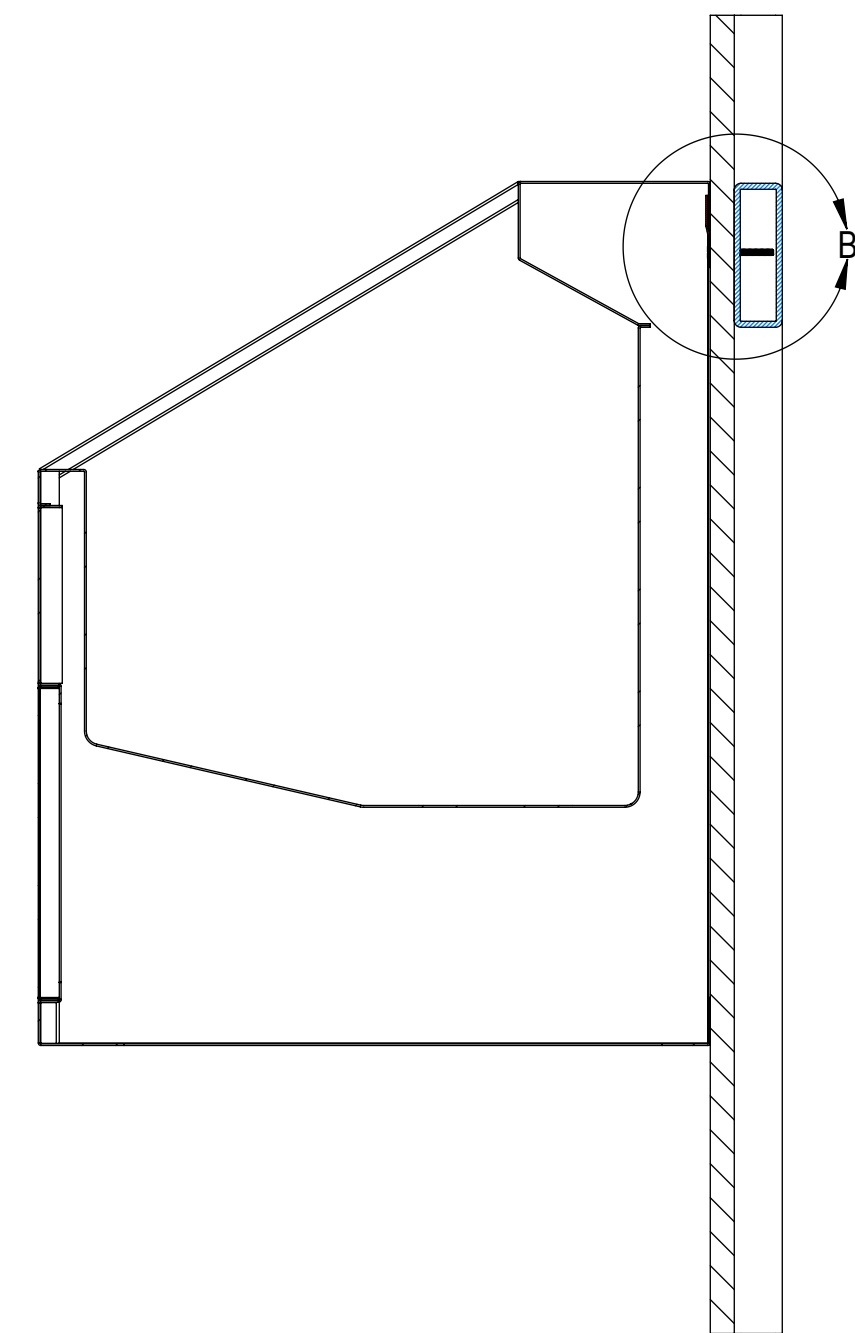
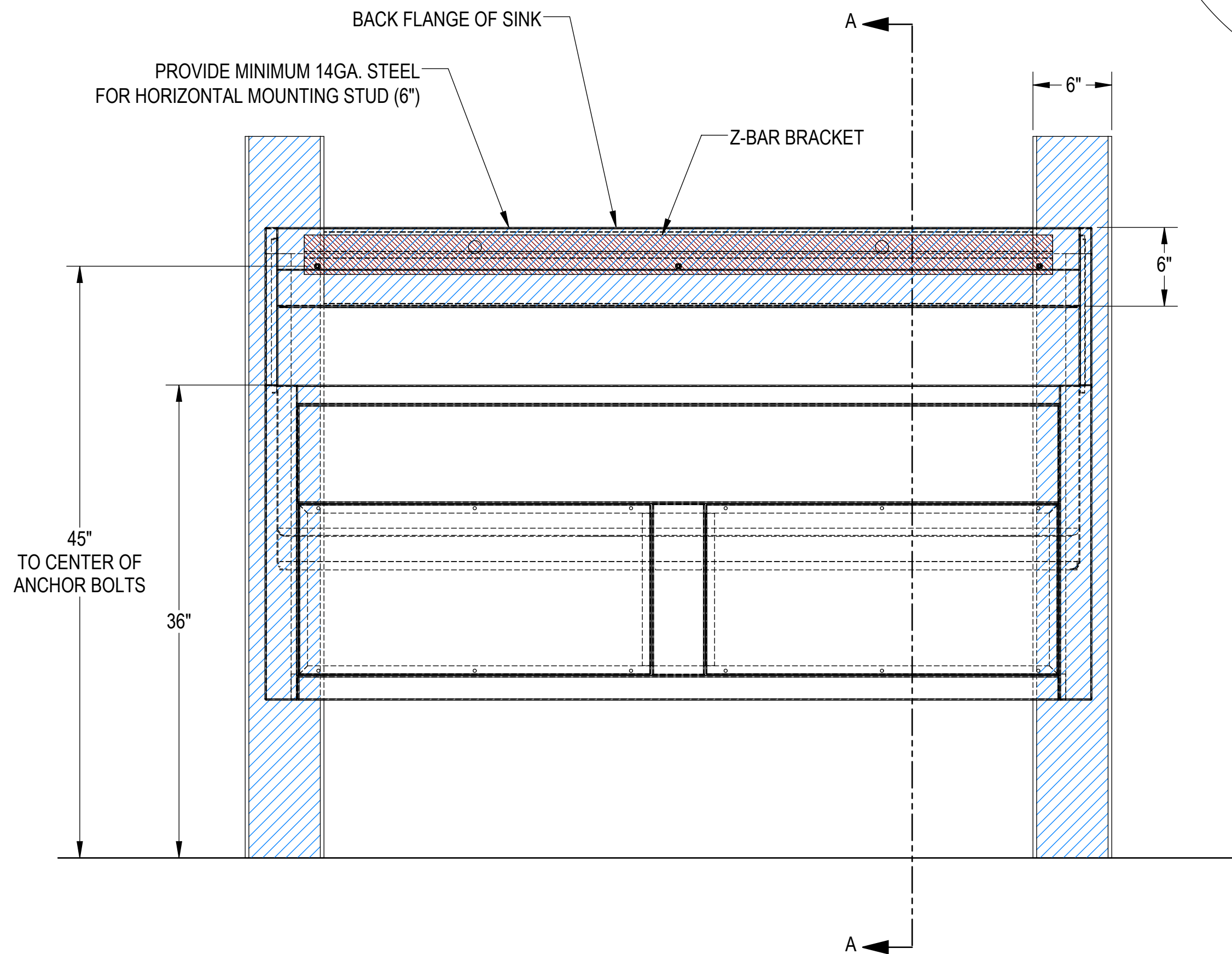
| | | | | | | | | | | | |
|----------|--|-----------|--|--------------------------------------------------------------------------------------------------------------------------------------------------------------------------------------------------------------------------------------------------------------------------------|--|-------------|-----------------------------------------------------------------------------------------------------------------------------------------------------------------------------|------------|----------------------------------------------------------------------------------------------------------------------------------------------------------------|---------|--|
| CUSTOMER | | APPROVAL | | <p style="text-align: center;">PROPRIETARY</p> <p style="text-align: center;">THIS DOCUMENT AND THE DATE DISCLOSED HEREIN AND HEREWITH IS NOT TO BE REPRODUCED, USED, OR OTHERWISE DISCLOSED IN WHOLE OR IN PART TO ANYONE WITHOUT WRITTEN AUTHORIZATION FROM MORTECH MFG.</p> | | |   | | | | |
| PROJECT | | SIGNATURE | | | | | DATE | | <p style="text-align: center;">MODEL SS102</p> <p style="text-align: center;">DOUBLE SCRUB STATION, HANDS FREE</p> <p style="text-align: center;">ROUGH-IN</p> | | |
| | | | | DO NOT SCALE DRAWING | | APPROVALS | | DATE | | TITLE | |
| | | | | MATERIAL | | DRAWN BY | | CHECKED BY | | SIZE | |
| | | | | 304 STAINLESS STEEL | | ELISEO S. | | 02/27/17 | | C | |
| | | | | FINISH | | APPROVED BY | | SCALE | | DWG NO. | |
| | | | | #4 SATIN | | | | 1:6 | | SS102AP | |
| | | | | | | | | NEXT ASSY. | | REV. | |
| | | | | | | | | | | X01 | |
| | | | | | | | | SHEET | | OF | |
| | | | | | | | | 2 | | 3 | |

WALL-MOUNTING NOTES:

1. Z-BAR SHIPPED WITHOUT MOUNTING HOLES FOR ADOPTION TO FIELD CONDITIONS. HOLES TO BE DRILLED BY INSTALLER.
2. INSTALL 3 ANCHORS AT 27 1/2" ON CENTER. FIRST HOLE 1" IN FROM SIDE OF Z-BAR
Z-BAR LENGTH: 57"
ADDITIONAL ANCHORS CAN BE ADDED AS NEEDED.
3. USE 1/4" TEK SCREWS 2 3/4" LONG
ADJUST LENGTH PER WALL THICKNESS.
4. INSTALLATION IS BASED ON ROUGH-IN MOUNTING DETAIL.
5. ANCHORS USED MUST BE FLUSH TO Z-BAR AS MUCH AS POSSIBLE. THEY MUST NOT INTERFERE WITH PLUMBING BEHIND WALL.



DETAIL B
SCALE 1 : 2



SECTION A-A

| | | | | | | | | | | | |
|----------|--|-----------|--|--------------------------------------------------------------------------------------------------------------------------------------------------------------------------------------------------------------------------------------------------------------------------------|--|------------------------------------------------------------------------------------------|------|------------------------------------------------------------------------------------|----------------------------------------------------------------------------------------------------------------------------------|-------------------------------------|--|
| CUSTOMER | | APPROVAL | | <p style="text-align: center;">PROPRIETARY</p> <p style="text-align: center;">THIS DOCUMENT AND THE DATE DISCLOSED HEREIN AND HEREWITH IS NOT TO BE REPRODUCED, USED, OR OTHERWISE DISCLOSED IN WHOLE OR IN PART TO ANYONE WITHOUT WRITTEN AUTHORIZATION FROM MORTECH MFG.</p> | | | | | | | |
| PROJECT | | SIGNATURE | | | | | DATE | | <p style="text-align: center;">MODEL SS102</p> <p style="text-align: center;">DOUBLE SCRUB STATION, HANDS FREE WALL-MOUNTING</p> | | |
| | | | | | | <p>DO NOT SCALE DRAWING</p> <p>MATERIAL: 304 STAINLESS STEEL</p> <p>FINISH: #4 SATIN</p> | | <p>APPROVALS</p> <p>DRAWN BY: ELISEO S.</p> <p>CHECKED BY:</p> <p>APPROVED BY:</p> | | <p>DATE: 02/27/17</p> | |
| | | | | | | <p>SCALE: 1:8</p> | | <p>SIZE: C</p> <p>DWG NO.: SS102AP</p> <p>NEXT ASSY.:</p> | | <p>REV. X01</p> <p>SHEET 3 OF 3</p> | |