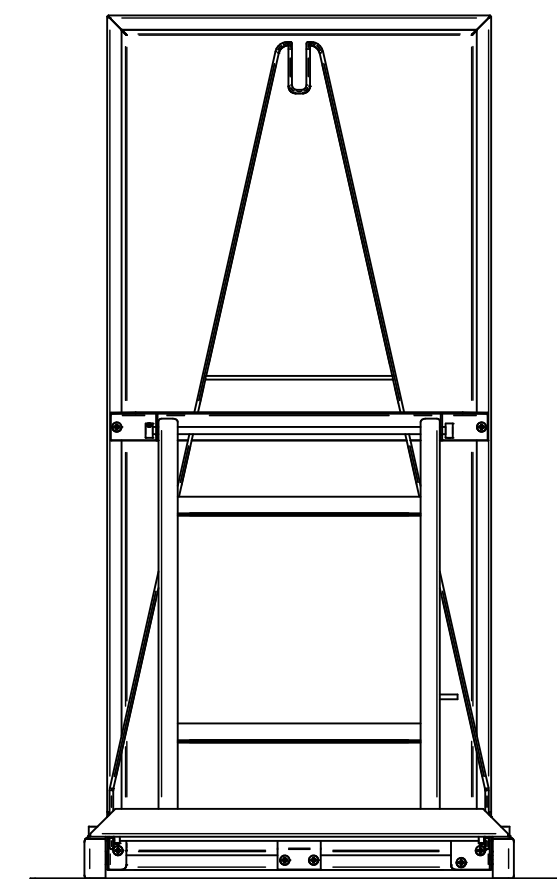
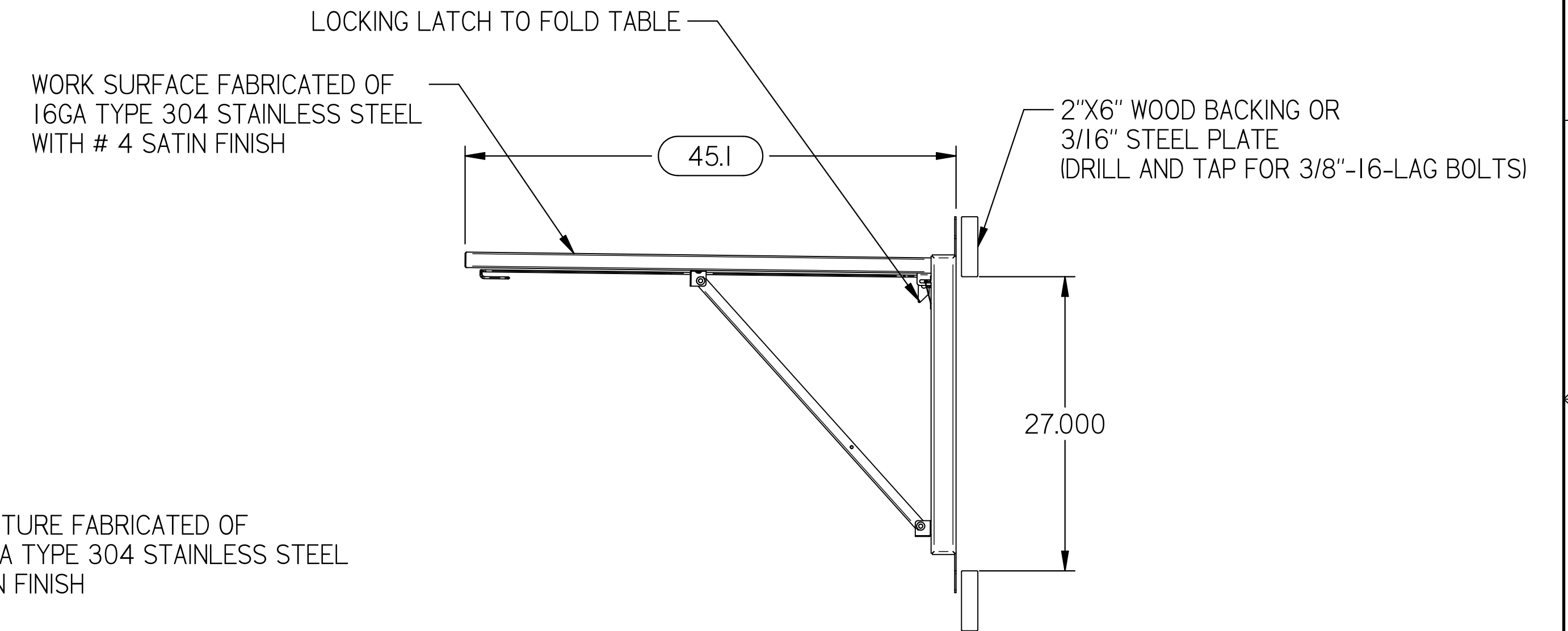
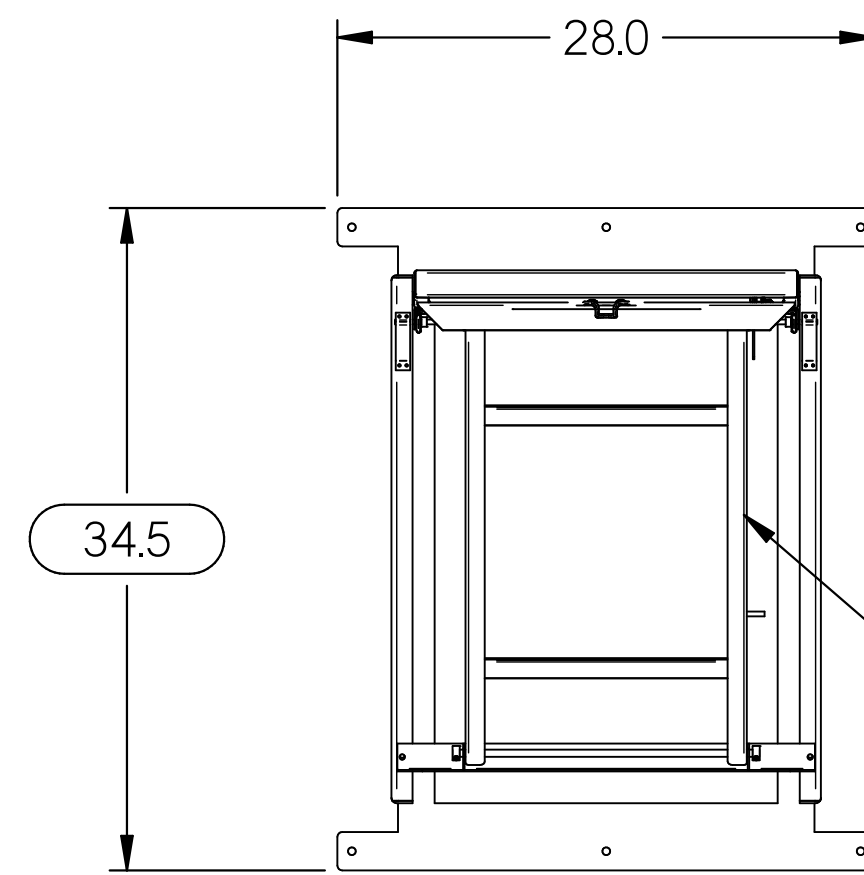
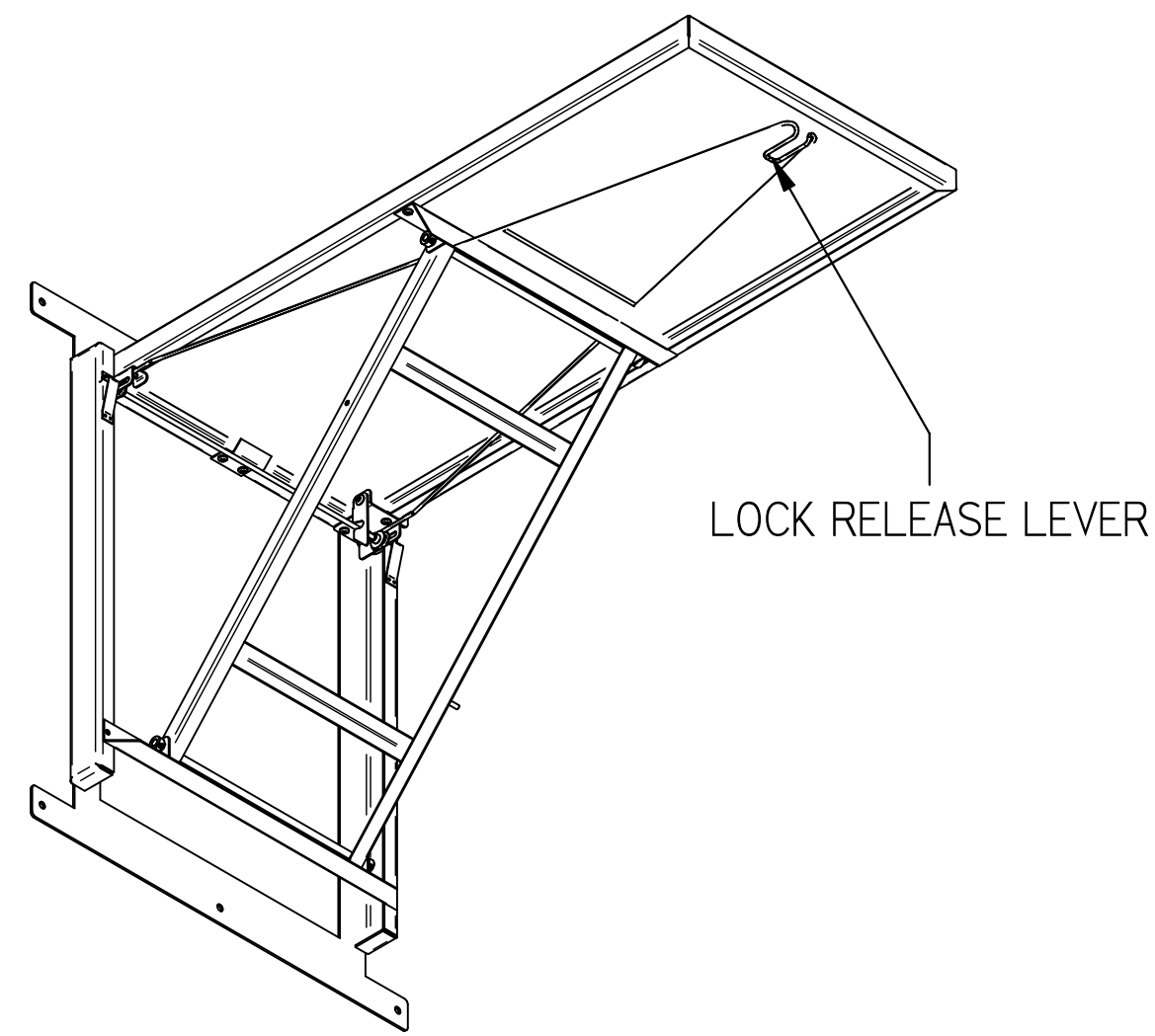
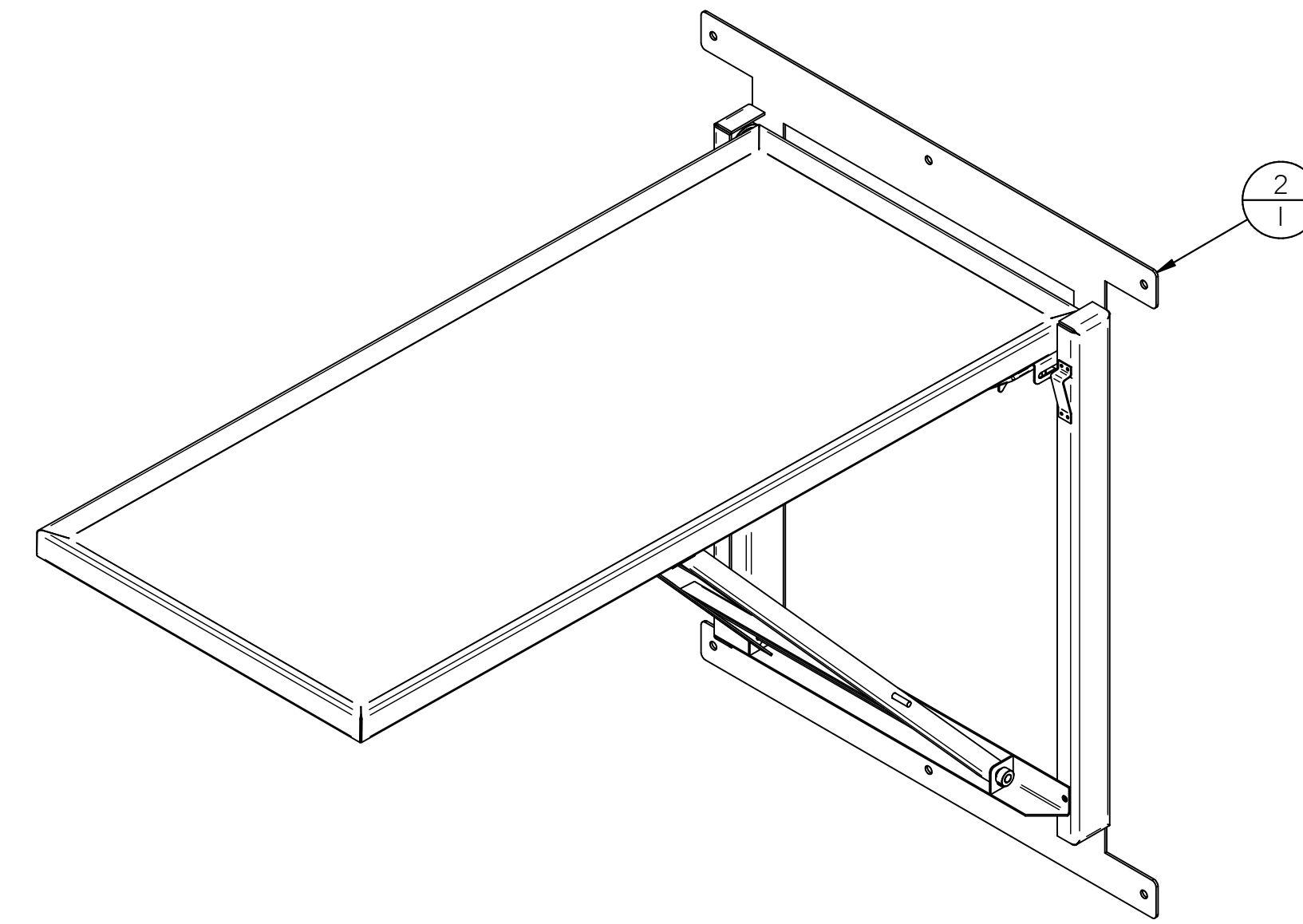
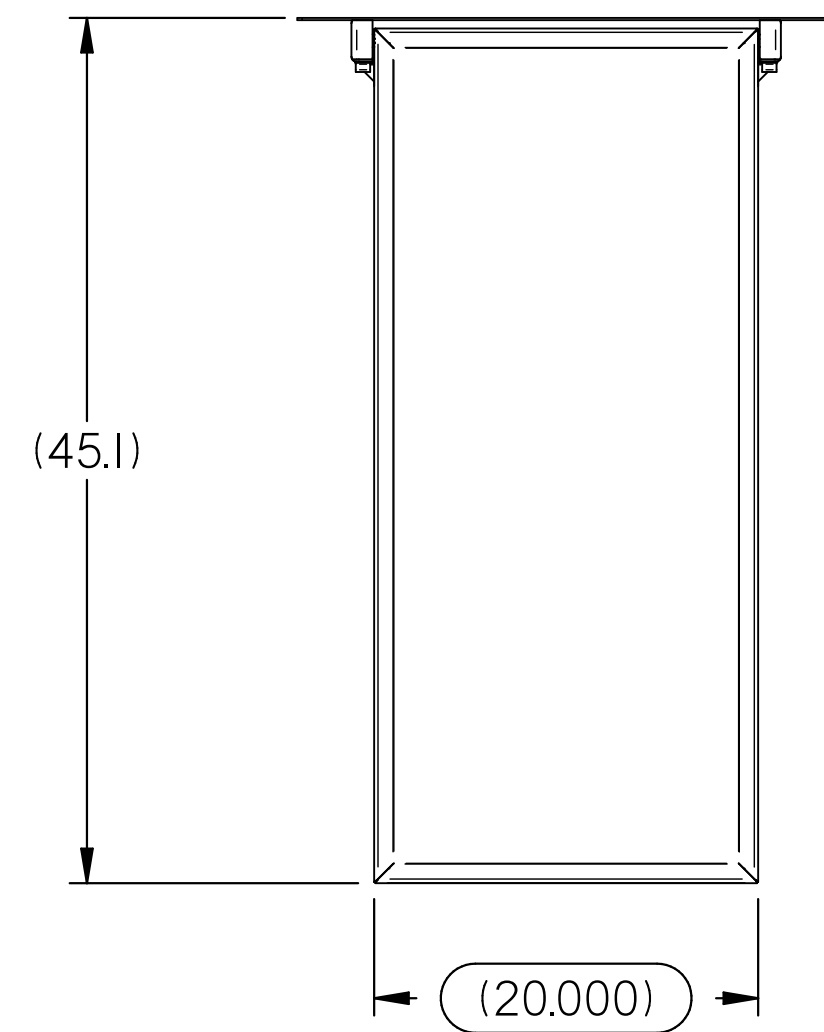


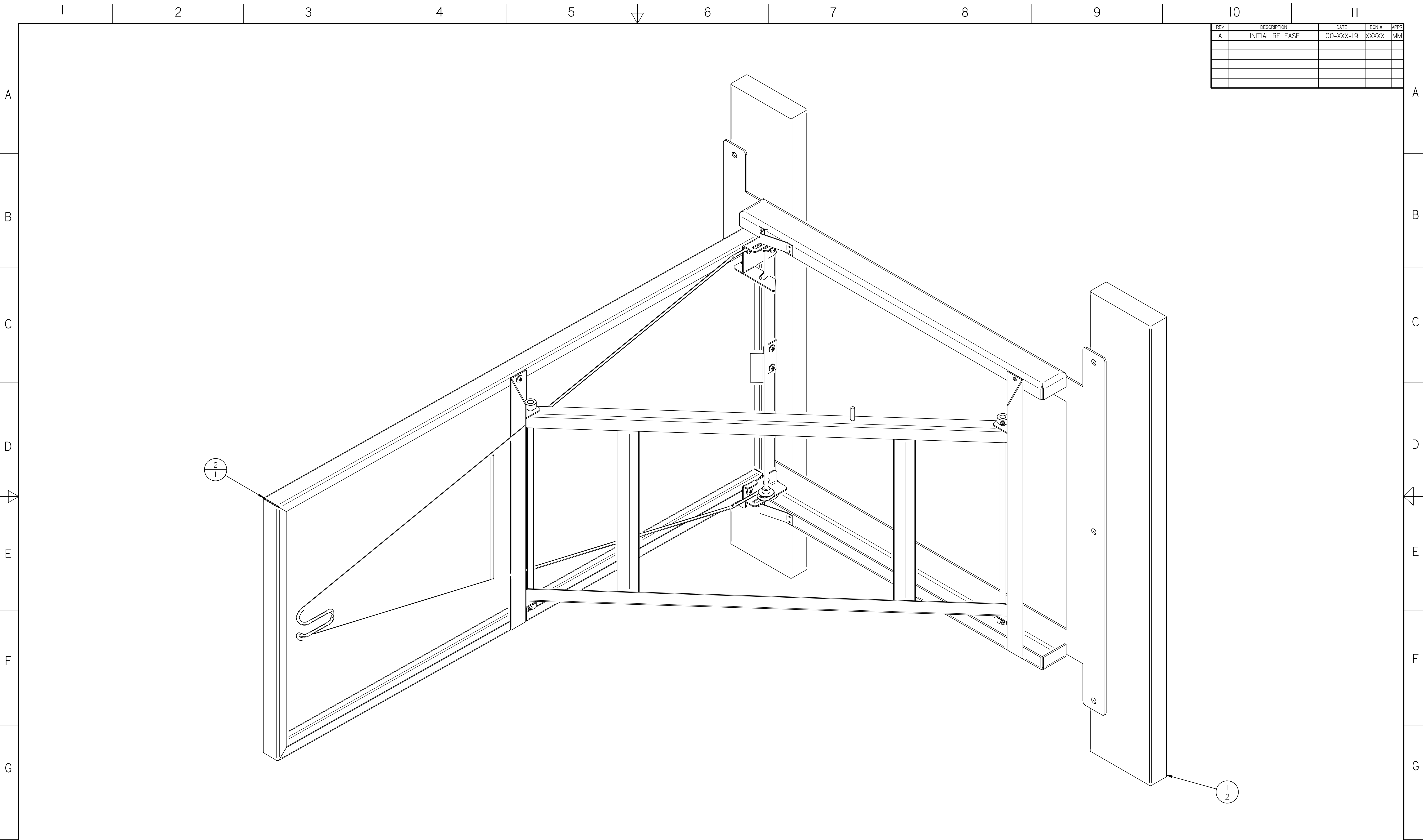
TABLE SHOWN IN FOLDED-UP WORKING POSITION.  
TABLE FOLDS DOWN WHEN NOT IN USE.

REV	DESCRIPTION	DATE	ECN #	APPR
A	INITIAL RELEASE	00-XXX-19	XXXXX	MM



THIS DOCUMENT CONTAINS PROPRIETARY INFORMATION OF MOPEC, AND MAY NOT BE COPIED IN WHOLE OR PART, AND NO USE SHALL BE MADE OF IT OTHER THAN FOR WHICH IT HAS BEEN SUBMITTED WITHOUT THE WRITTEN PERMISSION OF A MOPEC MANAGER MOPEC 2021		UNLESS OTHERWISE SPECIFIED ALL DIMENSIONS IN INCHES TOLERANCES: 0.0 ± 0.1 in, 0.00 ± 0.05 in, 0.000 ± 0.010 in, 0.0000 ± 0.0010 in, ANGLES ± 0.5° BREAK ALL CORNERS 0.063 X 45°, ALL FILLET RADII R0.063 / 0.125 in, INSPECT OVAL DIMENSIONS	MATERIAL: Error: No reference MATERIAL USAGE: Error: No reference FINISH: Error: No reference	<b>MOPEC GROUP</b> MOPEC MORTECH <small>Equipment Technology MANUFACTURING</small> DRAWN TO 3RD ANGLE PROJECTION	DRAWN BY: jjohnson DATE: 12/22/2021 CHECKED BY: [blank] DATE: 12/22/2021 APPROVED BY: MMcCLAIN DATE: 12/22/2021	PART NUMBER: CD400-A DESCRIPTION: CD400-A.asm SIZE: A2 FILE NAME: CD400-A.dft SCALE: 1:10 DO NOT SCALE IF IN DOUBT ASK	REV: A SHEET 1 OF 2
--	--	--	---	---	--	---	------------------------

\*CD400-A.dft\*



REV	DESCRIPTION	DATE	ECN #	APPR
A	INITIAL RELEASE	00-XXX-19	XXXXX	MM

Item Number	Quantity	File Name	Title	Material	Rev
1	2	2 x 6 WALL SUPPORT CUSTOMER OR FACILITY PROVIDED.par			A
2	1	S2337-B.asm	CD400 FOLD-UP TABLE		B

THIS DOCUMENT CONTAINS PROPRIETARY INFORMATION OF MOPEC, AND MAY NOT BE COPIED IN WHOLE OR PART, AND NO USE SHALL BE MADE OF IT OTHER THAN FOR WHICH IT HAS BEEN SUBMITTED WITHOUT THE WRITTEN PERMISSION OF A MOPEC MANAGER

MOPEC 2021

UNLESS OTHERWISE SPECIFIED ALL DIMENSIONS IN INCHES

TOLERANCES

0.0	± 0.1 in
0.00	± 0.05 in
0.000	± 0.010 in
0.0000	± 0.0010 in
ANGLES	± 0.5°

BREAK ALL CORNERS 0.063 X 45°  
ALL FILLET RADII R0.063 / 0.125 in  
INSPECT OVAL DIMENSIONS

MATERIAL: Error: No reference

MATERIAL USAGE: Error: No reference

FINISH: Error: No reference

**MOPEC GROUP**

**MORTECH**  
Advanced Technology MANUFACTURING

DRAWN TO 3RD ANGLE PROJECTION

DRAWN BY: jjohnson  
DATE: 12/22/2021  
CHECKED BY: \_\_\_\_\_  
DATE: 12/22/2021  
APPROVED BY: M.McCLAIN  
DATE: 12/22/2021

PART NUMBER	CD400-A
DESCRIPTION	CD400-A.asm
SIZE	A2
FILE NAME	CD400-A.dft
SCALE	1:2.86
DO NOT SCALE IF IN DOUBT ASK	
SHEET	2 OF 2

\*CD400-A.dft\*